

VP 22

Scheda Tecnica

WELLNESS START WITH HEAT

Antrax IT is a company based in Resana, near Treviso, which was established in the late Nineties and specialises in the production of radiators for residential and contract heating.

Ever since it has been in business, Antrax IT has offered a new way of conceiving heat, towards the creation of heating solutions that go far beyond their specific function, and are turned into 'furnishing elements that generate domestic well-being'.

Antrax IT is not just functional aesthetic but also environmental sustainability:

- Sustainability in the materials: since the radiators are made of 100% recyclable steel or aluminium, this means the radiator can be totally disposed of at the end of its useful life cycle, to be reintroduced onto the market in the form of aluminium or steel which can be processed once more
- Sustainability in the production processes: the radiators are made with the aid of energy produced by the photovoltaic system, thereby lowering the quantity of CO₂ released into the atmosphere and guaranteeing a low environmental impact throughout every phase of radiator manufacturing
- Sustainability in the paint process: Antrax was the first company in its field to implement a paint process that uses nano technologies in the product treatment processes. These technologies make it possible to remove any processing residue such as phosphates, mud, heavy metals, nitrites and nitrates, which are all pollutants and would be difficult to dispose of.







VP 22 is a collection of tubular towel warmers made by elements welded overlapping on the collector making the product extremely long-lasting and perfectly refined.

They have been made with the pipe centres 40/45/50/55 cm to facilitate the replacement of those radiators with a low-price which have collectors welded at the head of the elements.

The radiators VP 22 are available in two different heights (101.6, 159.2) and in this way it is possible to satisfy the necessity of thermal power for each bathroom, from the smallest to the wider.

This new collection is characterized by a larger separation among each element, specifically conceived to make the cleaning of the product much easier.

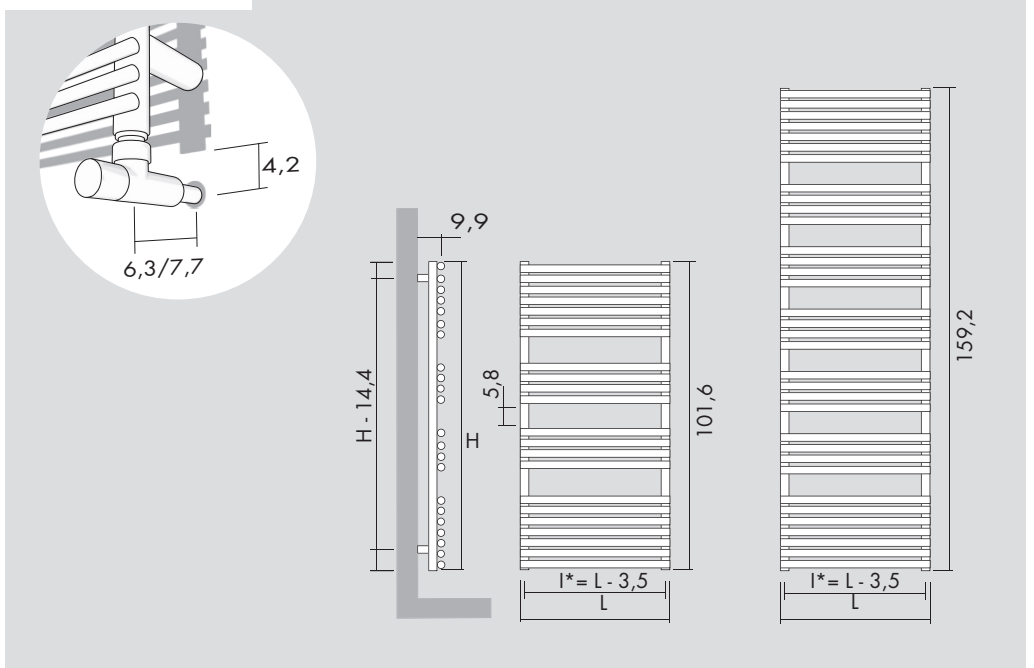
The aesthetic is extremely pleasant also in the smallest version of the towel warmer.



Kcal = Watt x 0.860
BTU = Watt x 3.413

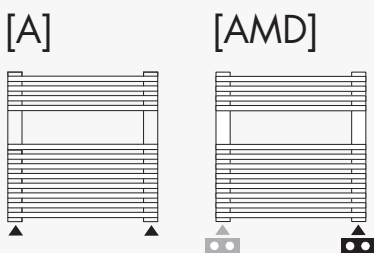
Watt Δt 60° = Watt Δt 50° x 1.238
Watt Δt 40° = Watt Δt 50° x 0.770
Watt Δt 30° = Watt Δt 50° x 0.550
Watt Δt 20° = Watt Δt 50° x 0.342

p max = 10.0 bar



H cm	L cm	I* cm	art*	[B] STOCK	Lt*	watt Δt 30°	watt Δt 50°
101.6	43.5	40.0	VP22S043100B	STOCK	4.6	270	491
101.6	48.5	45.0	VP22S048100B	STOCK	4.9	301	548
101.6	53.5	50.0	VP22S053100B	STOCK	5.3	334	607
101.6	58.5	55.0	VP22S058100B	STOCK	5.6	363	660
159.2	43.5	40.0	VP22S043160B	STOCK	7.1	403	733
159.2	48.5	45.0	VP22S048160B	STOCK	7.7	449	817
159.2	53.5	50.0	VP22S053160B	STOCK	8.2	498	906
159.2	58.5	55.0	VP22S058160B	STOCK	8.7	542	985

Standard connection / Raccord standard
Standard Anschluss / Conexión estándar



art* = item / modèle / Artikel / artículo I* = pipe centres / distance entre depart et retour / Achsabstand / distancia entre las conexiones
Lt* = water content / volume d'eau / Wassergehalt / contenido de agua

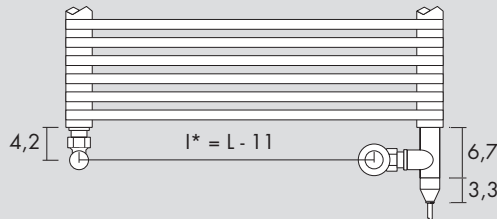
Dual application with schuko plug / Version mixte avec prise schuko /
Kombimodell mit Schukosteckdose / Versión mixta con enchufe schuko

H cm	L cm	I* cm	art*	[B] STOCK	Lt*	watt Δt 30°	watt Δt 50°	watt
101.6	43.5	32.5	MC VP225043100B	STOCK	4.1	270	491	350
101.6	48.5	37.5	MC VP225048100B	STOCK	4.8	301	548	500
101.6	53.5	42.5	MC VP225053100B	STOCK	5.6	334	607	500
101.6	58.5	47.5	MC VP225058100B	STOCK	6.0	363	660	700
159.2	43.5	32.5	MC VP225043160B	STOCK	7.0	403	733	700
159.2	48.5	37.5	MC VP225048160B	STOCK	8.1	449	817	700
159.2	53.5	42.5	MC VP225053160B	STOCK	7.8	498	906	700
159.2	58.5	47.5	MC VP225058160B	STOCK	9.2	542	985	1 000

Standard



Heating element
Résistance
Heizstab
Resistencia



Optional



Receiver
Récepteur
Empfänger
Receptor

R10



Digital chronothermostat
Chronothermostat digital
Der digital Chronothermostat
Cronotermostato digital

T11

Dual electric element with thermostat / Mixte résistance avec thermostat /
Kombimodell mit Raumthermostat / Versión mixta con termostato ambiente

H cm	L cm	I* cm	art*	[B] STOCK	Lt*	watt Δt 30°	watt Δt 50°	watt
101.6	43.5	32.5	MT VP225043100B	STOCK	4.1	270	491	350
101.6	48.5	37.5	MT VP225048100B	STOCK	4.8	301	548	500
101.6	53.5	42.5	MT VP225053100B	STOCK	5.6	334	607	500
101.6	58.5	47.5	MT VP225058100B	STOCK	6.0	363	660	700
159.2	43.5	32.5	MT VP225043160B	STOCK	7.0	403	733	700
159.2	48.5	37.5	MT VP225048160B	STOCK	8.1	449	817	700
159.2	53.5	42.5	MT VP225053160B	STOCK	7.8	498	906	700
159.2	58.5	47.5	MT VP225058160B	STOCK	9.2	542	985	1 000

Standard

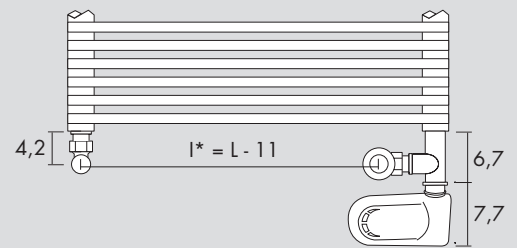


Thermostat
Thermostat
Der Thermostat
Termostato



Infrared remote control
Télécommande infrarouge
Infrarot-Fernbedienung
Mando por infrarrojos

ECODESIGN



Optional



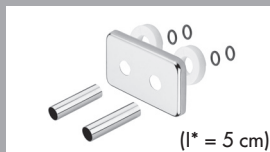
Angled Valve
Vanne équerre
Eckausführung Ventil
Válvula a escuadra

[BIAN] **E12SQB**
[CROM] **E12SQR**



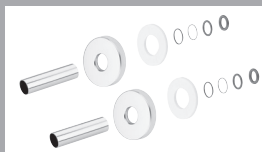
Thermostatic head
Tête thermostatique
Thermostatkopf
Cabezal termostático

[BIAN] **TTB**
[CROM] **TTR**



Sleeving kit
Kit couvre tuyau
Rosetten
Kit cubre tubo

[BIAN] **C5B**
[CROM] **C5R**

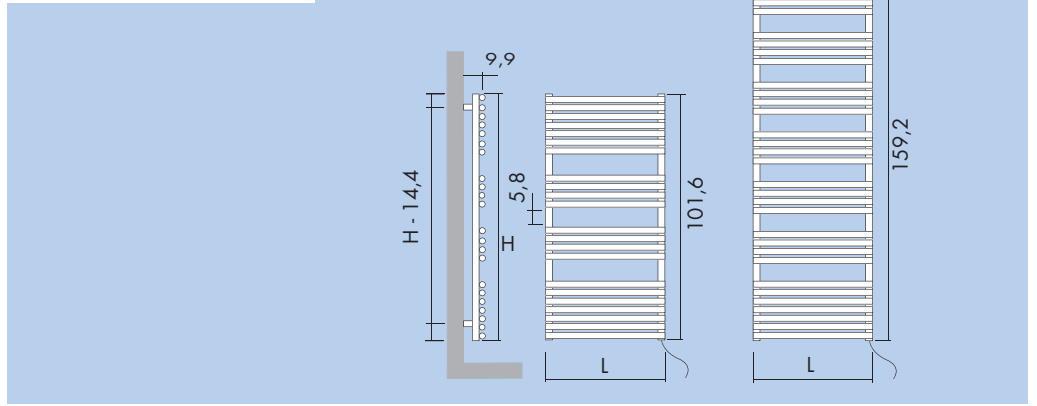
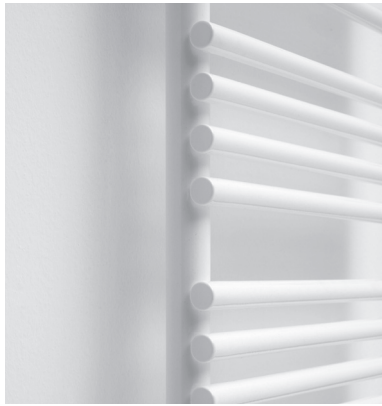


∅ ≤ 16 mm
[BIAN] **CTB**
[CROM] **CTR**

16 mm < ∅ < 24 mm
[BIAN] **CWB**
[CROM] **CWR**

art* = item / modèle / Artikel / artículo I* = pipe centres / distance entre depart et retour / Achsabstand / distancia entre las conexiones
Lt* = water content / volume d'eau / Wassergehalt / contenido de agua P* = page / page / Seite / página

VP 22



Electric with schuko plug / Version électrique avec prise schuko / Elektromodell mit schukosteckdose / Versión electrica con enchufe schuko

H cm	L cm	art*	[B] STOCK	watt
101.6	43.5	EC VP22S043100B	STOCK	350
101.6	48.5	EC VP22S048100B	STOCK	500
101.6	53.5	EC VP22S053100B	STOCK	500
101.6	58.5	EC VP22S058100B	STOCK	700
159.2	43.5	EC VP22S043160B	STOCK	700
159.2	48.5	EC VP22S048160B	STOCK	700
159.2	53.5	EC VP22S053160B	STOCK	700
159.2	58.5	EC VP22S058160B	STOCK	1 000

Standard



Heating element
Résistance
Heizstab
Resistencia

Optional



Wire cover / Câche cable
Kabelabdeckung / Cubre cable



Receiver
Récepteur
Empfänger
Receptor



Digital chronothermostat
Chronothermostat digital
Der digital Chronothermostat
Cronotermostato digital

[COLOUR] **C1C**

R10

T11

Electric with Thermostat / Version Electrique avec Thermostat / Elektromodell mit raumthermostat / Versión electrica con Termostato Ambiente

H cm	L cm	art*	[B] STOCK	watt
101.6	43.5	ET VP22S043100B	STOCK	350
101.6	48.5	ET VP22S048100B	STOCK	500
101.6	53.5	ET VP22S053100B	STOCK	500
101.6	58.5	ET VP22S058100B	STOCK	700
159.2	43.5	ET VP22S043160B	STOCK	700
159.2	48.5	ET VP22S048160B	STOCK	700
159.2	53.5	ET VP22S053160B	STOCK	700
159.2	58.5	ET VP22S058160B	STOCK	1 000

Standard



Thermostat
Thermostat
Der Thermostat
Termostato



Infrared remote control
Télécommande infrarouge
Infrarot-Fernbedienung
Mando por infrarrojos

[BIAN]
[CROM]

ANTRAX IT SRL
VIA BOSCALTO 40
31023 RESANA TV - ITALY
TEL. +39 0423 7174
WWW.ANTRAX.IT
ANTRAX@ANTRAX.IT