

CV 10 VERTICAL SINGLE

radiator composed of vertical fusion welded elements in 10 mm diameter steel with 28 mm diam. manifolds

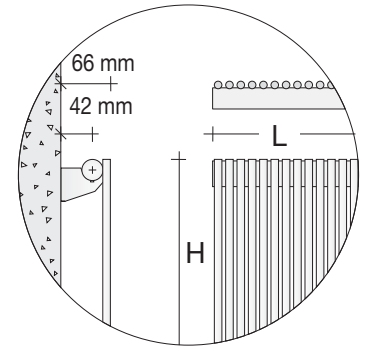


ORDER EXAMPLE

To correctly order this model follow the example specified below:

PRODUCT	CV10#200 018 0C1 ST 9010
CV10#200 018	Article code composed of Model, Height (200) and Number of elements (018)
0C1	Connector code found in the table here below
ST	Standard Support code found in the table here below
9010	Colour code found in the TUBES COLOUR CHART
ACCESSORIES	
Z1TLNR#AN R12 9010	Valve and Lockshield - Copper angle 1/2" for copper pipes or multi-layer pipes - White RAL 9010
Z1RAC#R12CRO	12mm diam. copper pipe unions for Valve+Lockshield - chrome finish (2)

For other types of Valves see the table below or those on pages 217 - 218 - 219 - 220.



CONNECTORS

The radiators are supplied with "0C1" connectors as shown in the table here below.

If different connectors are required, strictly indicate this in the order. **IMPORTANT:** the connectors of the radiators ordered and the radiators connected to the same system should all have the same configuration otherwise operating problems could occur. The OB2 configuration should have two 1/8" diameter chrome-plated plugs on the head of the manifolds.

Standard connectors

Will be supplied if not otherwise specified when placing the order

Custom-made connectors

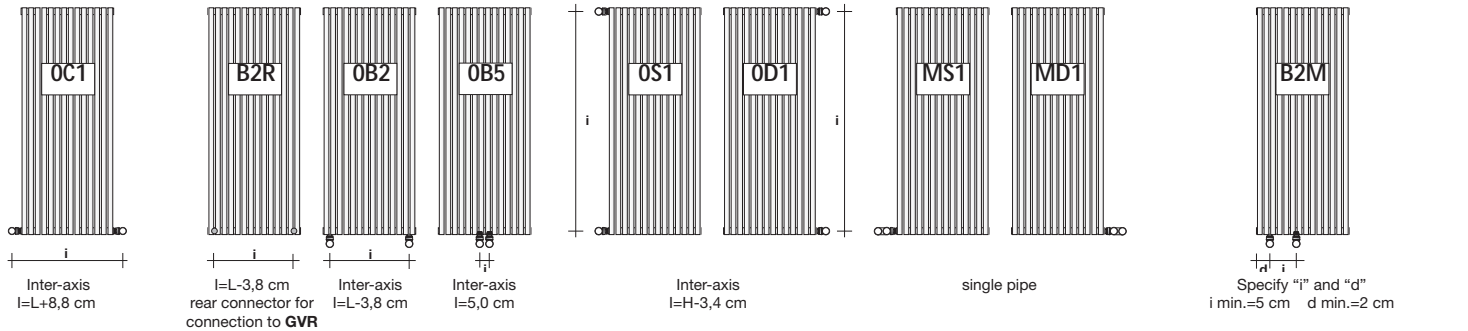
Supplied on request WITH an additional price charge of € (NOT available in chrome-plated version)

Connectors on request

Supplied on request WITHOUT an additional price charge

Custom-made connectors

Supplied on request WITH an additional price charge of € (NOT available in chrome-plated version)



SUPPORTS

The radiators are supplied with standard supports (code ST) that include the wall fixing shelves and the manual vent Valve.

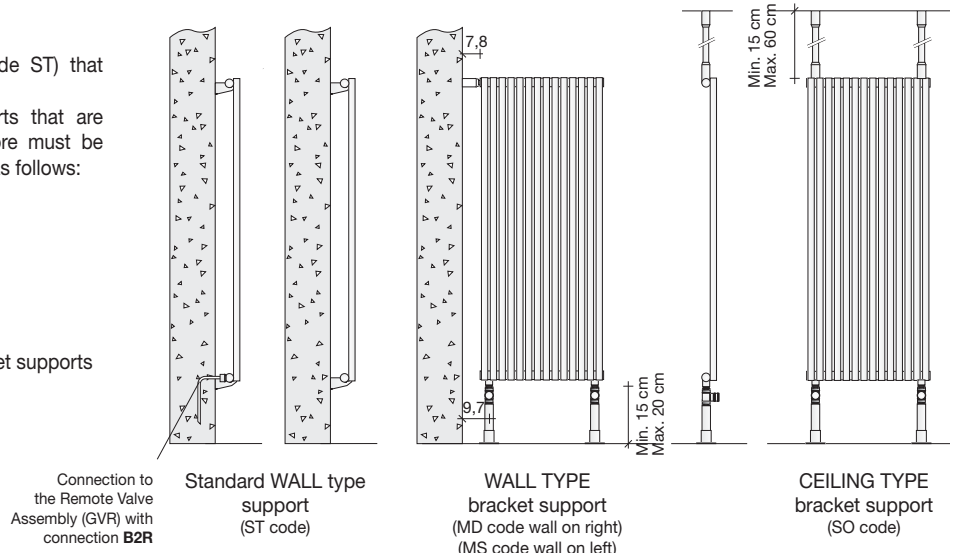
On request they can be ordered with bracket supports that are permanently welded on the towel warmers and therefore must be specified when placing the order, their code and cost are as follows:

code MD	WALL TYPE bracket support on the Right	€
code MS	WALL TYPE bracket support on the Left	€
code SO	CEILING TYPE bracket support	€

LIMITS

WALL TYPE bracket support	Width max 59.4 cm
CEILING TYPE bracket support	All widths

The Chrome plated version cannot be supplied with bracket supports



ADDITIONAL COLOUR CHARGE (see the official Tubes Colour Chart)

Additional colour charges are calculated over the Pure white price (Cat. C0), for the other categories the additional charges herein below are applicable:

Category C1 and C2	+10%
C3 Category	+20%
RAL not included in the colour chart	+30%
According to samples	Request feasibility and cost estimate

Standard VALVES (for Valves and Lockshields, valves that can be fitted with thermostat, Thermostatic valves, or Single pipe, Twin pipe, Stainless steel and thermostatic heads see pages 217 - 218 - 219 - 220)

code	Description	Price	code	Description	Price
Z1TLNR#ANR129010	Valve and Lockshield - ValCOLOR Copper Angle 1/2" RAL 9010 Glossy Pure White	€	GVR#	Valve and Lockshield assembly for recessed remote connection, CHROME finish	€
Z1RAC#R12CRO	2 copper unions diam. 12 mm for ValCOLOR Chrome finish Valve+Lockshield	€	GVR#	Valve and Lockshield assembly for recessed remote connection, COLOUR finish	€
ZRCF2#	Kit with CHROME-PLATED pipe collars	€			

CV 10G VERTICAL CHROME-PLATED

radiator composed of vertical fusion welded elements in 10 mm diameter steel with 28 mm diam. manifolds

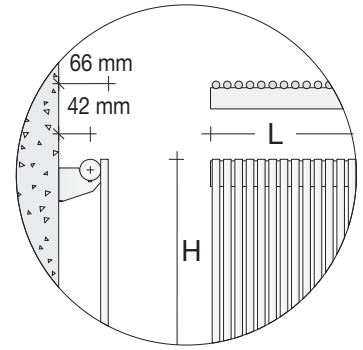


ORDER EXAMPLE

To correctly order this model follow the example specified below:

PRODUCT	CV10G#200 018 0C1 ST CRO
CV10G#200 018	Article code composed of Model, Height (200) and Number of elements (018)
0C1	Connector code found in the table here below
ST	Standard Support code found in the table here below
CRO	Finish code found in the Tubes Colour Chart
ACCESSORIES	
Z1TLNRG#AN R12 CRO	Valve and Lockshield - Copper angle 1/2" for copper pipes or multi-layer pipes - CHROME
Z1RAC#R12CRO	12mm diam. copper pipe unions for Valve+Lockshield – chrome finish (2)

For other types of Valves see the table below or those on pages 217 - 218 - 219 - 220.



CONNECTORS

The radiators are supplied with "0C1" connectors as shown in the table here below.

If different connectors are required, strictly indicate this in the order. **IMPORTANT:** the connectors of the radiators ordered and the radiators connected to the same system should all have the same configuration otherwise operating problems could occur. The OB2 configuration should have two 1/8" diameter chrome-plated plugs on the head of the manifolds.

Standard connectors

Will be supplied if not otherwise specified when placing the order

Custom-made connectors

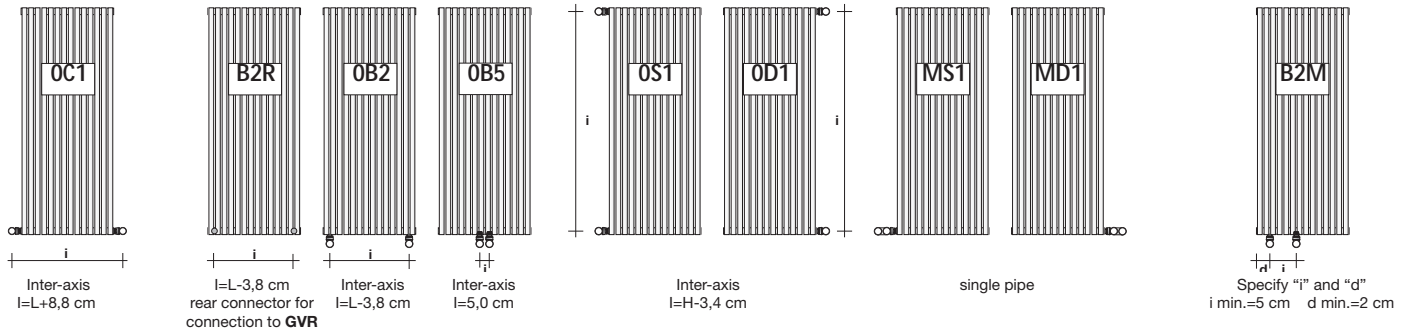
Supplied on request WITH an additional price charge of €

Connectors on request

Supplied on request WITHOUT an additional price charge

Custom-made connectors

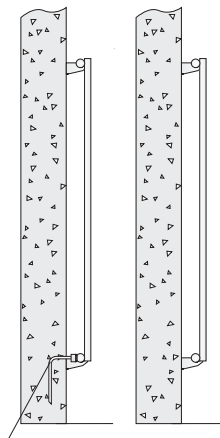
Supplied on request WITH an additional price charge of € (NOT available in chrome-plated version)



SUPPORTS

The radiators are supplied with standard supports (code ST) that include the wall fixing shelves and the manual vent Valve.

The Chrome plated version cannot be supplied with bracket supports



Connection to the Remote Valve Assembly (GVR) with connection B2R

Standard WALL type support (ST code)

ADDITIONAL CHARGES FOR FINISHES (see the official Tubes Colour Chart)

Additional colour/finish charges are calculated over the Pure white (Category C0) price for coloured finishes, and over the Chrome (Category G0) price for plated finishes.

FINISHES

G1 Category	Nickel Satin finish (NIS code) NOT available
G5 (14kt Gold) Category	+50%
G6 (24kt Gold) Category	+60%

Standard VALVES (for Valves and Lockshields, valves that can be fitted with thermostat, Thermostatic valves, or Single pipe, Twin pipe, Stainless steel and thermostatic heads see pages 217 - 218 - 219 - 220)

code	Description	Price	code	Description	Price
 Z1TLNRG#AN R12 CRO	Valve and Lockshield - ValCOLOR Copper Angle 1/2" Glossy CHROME	€	 GVR#	Valve and Lockshield assembly for recessed remote connection, CHROME finish	€
 Z1RAC#R12CRO	2 copper unions diam. 12 mm for ValCOLOR Chrome finish Valve+Lockshield	€	 GVR#	Valve and Lockshield assembly for recessed remote connection, COLOUR finish	€
 ZRCF2#	Kit with CHROME-PLATED pipe collars	€			

CV 10G VERTICAL CHROME-PLATED*

Price per radiator with Chrome finish and standard connectors - VAT and transport excluded



Thermal yield ΔT 50°C - Watts per radiator

For correction factors different to ΔT 50°C see page 230

Height		40		50		60		70		80		100		110		120	
N° elements	Width (cm)	Watts ΔT 50°C	Price (€)	Watts ΔT 50°C	Price (€)	Watts ΔT 50°C	Price (€)	Watts ΔT 50°C	Price (€)	Watts ΔT 50°C	Price (€)	Watts ΔT 50°C	Price (€)	Watts ΔT 50°C	Price (€)	Watts ΔT 50°C	Price (€)
6	9,9	44		54		63		73		82		100		109		118	
7	11,4	51		63		74		85		96		117		128		138	
8	12,9	58		72		84		97		109		134		146		157	
9	14,4	66		81		95		109		123		150		164		177	
10	15,9	73		90		106		122		137		167		182		197	
11	17,4	80		99		116		134		150		184		201		216	
12	18,9	87		108		127		146		164		201		219		236	
13	20,4	95		116		137		158		178		217		237		256	
14	21,9	102		125		148		170		192		234		255		276	
15	23,4	109		134		158		182		205		251		274		295	
16	24,9	116		143		169		195		219		268		292		315	
17	26,4	124		152		180		207		233		284		310		335	
18	27,9	131		161		190		219		246		301		328		354	
19	29,4	138		170		201		231		260		318		347		374	
20	30,9	146		179		211		243		274		334		365		394	
21	32,4	153		188		222		255		287		351		383		413	
22	33,9	160		197		232		268		301		368		401		433	
23	35,4	167		206		243		280		315		385		420		453	
24	36,9	175		215		253		292		328		401		438		472	
25	38,4	182		224		264		304		342		418		456		492	
26	39,9	189		233		275		316		356		435		474		512	
27	41,4	197		242		285		328		369		451		492		531	
28	42,9	204		251		296		340		383		468		511		551	
29	44,4	211		260		306		353		397		485		529		571	
30	45,9	218		269		317		365		410		502		547		590	
31	47,4	226		278		327		377		424		518		565		610	
32	48,9	233		287		338		389		438		535		584		630	
33	50,4	240		296		348		401		451		552		602		649	
34	51,9	248		305		359		413		465		568		620		669	
35	53,4	255		314		370		426		479		585		638		689	
36	54,9	262		323		380		438		492		602		657		708	
37	56,4	269		332		391		450		506		619		675		728	
38	57,9	277		340		401		462		520		635		693		748	
39	59,4	284		349		412		474		534		652		711		768	
40	60,9	291		358		422		486		547		669		730		787	

Height		130		140		150		160		170		180		190		200	
N° elements	Width (cm)	Watts ΔT 50°C	Price (€)	Watts ΔT 50°C	Price (€)	Watts ΔT 50°C	Price (€)	Watts ΔT 50°C	Price (€)	Watts ΔT 50°C	Price (€)	Watts ΔT 50°C	Price (€)	Watts ΔT 50°C	Price (€)	Watts ΔT 50°C	Price (€)
6	9,9	127		135		144		153		161		169		177		185	
7	11,4	148		158		168		178		188		197		206		216	
8	12,9	169		180		192		204		214		225		236		246	
9	14,4	190		203		216		229		241		253		265		277	
10	15,9	211		226		240		254		268		282		294		308	
11	17,4	232		248		264		280		295		310		324		339	
12	18,9	253		271		288		305		322		338		353		370	
13	20,4	275		293		312		331		348		366		383		400	
14	21,9	296		316		336		356		375		394		412		431	
15	23,4	317		338		360		382		402		422		442		462	
16	24,9	338		361		384		407		429		451		471		493	
17	26,4	359		384		408		432		456		479		500		524	
18	27,9	380		406		432		458		482		507		530		554	
19	29,4	401		429		456		483		509		535		559		585	
20	30,9	422		451		480		509		536		563		589		616	
21	32,4	444		474		504		534		563		591		618		647	
22	33,9	465		496		528		560		590		620		648		678	
23	35,4	486		519		552		585		616		648		677		708	
24	36,9	507		541		576		611		643		676		707		739	
25	38,4	528		564		600		636		670		704		736		770	
26	39,9	549		587		624		661		697		732		765		801	
27	41,4	570		609		648		687		724		760		795		832	
28	42,9	591		632		672		712		750		788		824		862	
29	44,4	612		654		696		738		777		817		854		893	
30	45,9	634		677		720		763		804		845		883		924	
31	47,4	655		699		744		789		831		873		913		955	
32	48,9	676		722		768		814		858		901		942		986	
33	50,4	697		744		792		840		884		929		972		1016	
34	51,9	718		767		816		865		911		957		1001		1047	
35	53,4	739		790		840		890		938		986		1030		1078	
36	54,9	760		812		864		916		965		1014		1060		1109	
37	56,4	781		835		888		941		992		1042		1089		1140	
38	57,9	803		857		912		967		1018		1070		1119		1170	
39	59,4	824		880		936		992		1045		1098		1148		1201	
40	60,9	845		902		960		1018		1072		1126		1178		1232	

* Additional charge for the new galvanic finishings Black Nichel and Tin Glossy +10% on the Chrome version. The same additional charge is valid for the valves too.

SIZES AVAILABLE ON REQUEST: H.90

CV 10D VERTICAL DOUBLE

radiator composed of vertical fusion welded elements in 10 mm diameter steel with 28 mm diam. manifolds

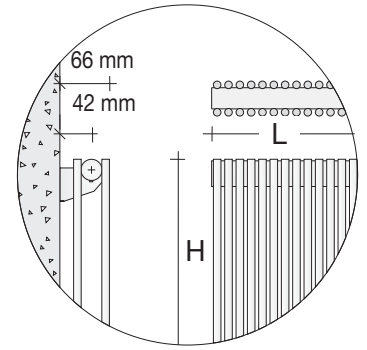


ORDER EXAMPLE

To correctly order this model follow the example specified below:

PRODUCT	CV10D#200 018 0C1 ST 9010
CV10D#200 018	Article code composed of Model, Height (200) and Number of elements (018)
0C1	Connector code found in the table here below
ST	Standard Support code found in the table here below
9010	Colour code found in the TUBES COLOUR CHART
ACCESSORIES	
Z1TLNR#AN R12 9010	Valve and Lockshield - Copper angle 1/2" for copper pipes or multi-layer pipes - White RAL 9010
Z1RAC#R12CRO	12mm diam. copper pipe unions for Valve+Lockshield - chrome finish (2)

For other types of Valves see the table below or those on pages 217 - 218 - 219 - 220.



CONNECTORS

The radiators are supplied with "0C1" connectors as shown in the table here below.

If different connectors are required, strictly indicate this in the order. **IMPORTANT:** the connectors of the radiators ordered and the radiators connected to the same system should all have the same configuration otherwise operating problems could occur. The OB2 configuration should have two 1/8" diameter chrome-plated plugs on the head of the manifolds.

Standard connectors

Will be supplied if not otherwise specified when placing the order

Custom-made connectors

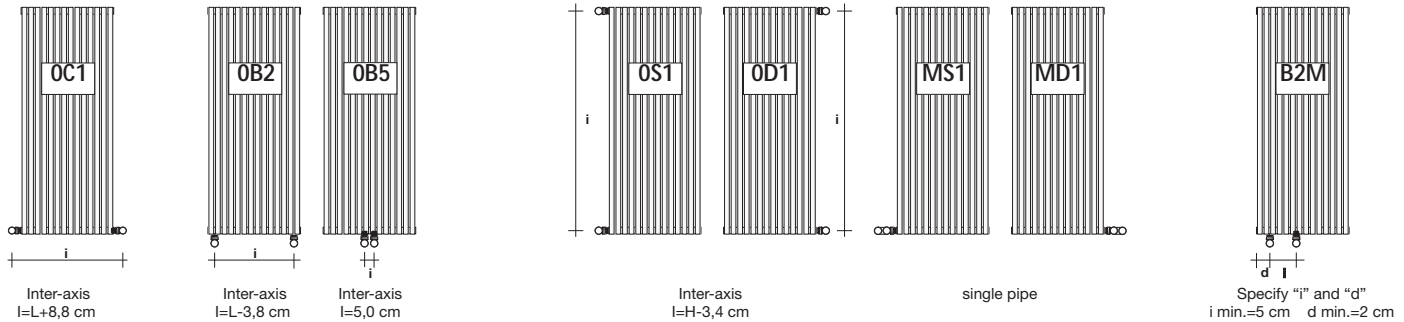
Supplied on request WITH an additional price charge of €

Connectors on request

Supplied on request WITHOUT an additional price charge

Custom-made connectors

Supplied on request WITH an additional price charge of € (NOT available in chrome-plated version)



SUPPORTS

The radiators are supplied with standard supports (code ST) that include the wall fixing shelves and the manual vent Valve.

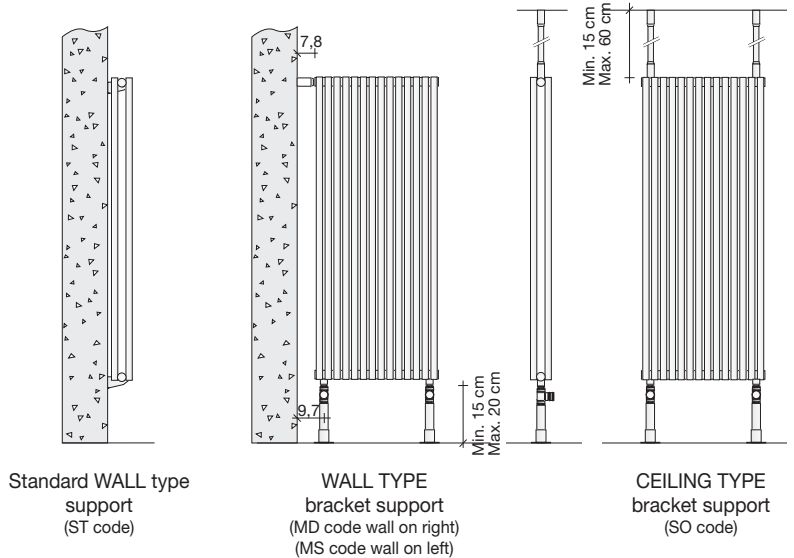
On request they can be ordered with bracket supports that are permanently welded on the towel warmers and therefore must be specified when placing the order, their code and cost are as follows:

- code MD WALL TYPE bracket support on the Right €
- code MS WALL TYPE bracket support on the Left €
- code SO CEILING TYPE bracket support €

LIMITS

- WALL TYPE bracket support Width max 39.4 cm
- CEILING TYPE bracket support All widths

The Chrome plated version cannot be supplied with bracket supports



ADDITIONAL COLOUR CHARGE (see the official Tubes Colour Chart)

Additional colour charges are calculated over the Pure white price (Cat. C0), for the other categories the additional charges herein below are applicable:

- Category C1 and C2 +10%
- C3 Category +20%
- RAL not included in the colour chart +30%
- According to samples Request feasibility and cost estimate

Standard VALVES (for Valves and Lockshields, valves that can be fitted with thermostat, Thermostatic valves, or Single pipe, Twin pipe, Stainless steel and thermostatic heads see pages 217 - 218 - 219 - 220)

	code	Description	Price
	Z1TLNR#ANR129010	Valve and Lockshield - ValCOLOR Copper Angle 1/2" RAL 9010 Glossy Pure White	€
	Z1RAC#R12CRO	2 copper unions diam. 12 mm for ValCOLOR Chrome finish Valve+Lockshield	€
	ZRCF2#	Kit with CHROME-PLATED pipe collars	€

CV 10D VERTICAL DOUBLE

Price per radiator with White RAL 9010 finish and standard connectors - VAT and transport charges excluded



Thermal yield $\Delta T 50^{\circ}C$ - Watts per radiator

For correction factors different to $\Delta T 50^{\circ}C$ see page 230

Height		40		50		60		70		80		100		110		120		130	
N° elements	Width (cm)	Watts $\Delta T 50^{\circ}C$	Price (€)	Watts $\Delta T 50^{\circ}C$	Price (€)	Watts $\Delta T 50^{\circ}C$	Price (€)	Watts $\Delta T 50^{\circ}C$	Price (€)	Watts $\Delta T 50^{\circ}C$	Price (€)	Watts $\Delta T 50^{\circ}C$	Price (€)	Watts $\Delta T 50^{\circ}C$	Price (€)	Watts $\Delta T 50^{\circ}C$	Price (€)	Watts $\Delta T 50^{\circ}C$	Price (€)
6	9,9	85		103		119		136		152		184		200		215		232	
7	11,4	99		120		139		158		177		215		233		251		270	
8	12,9	114		137		159		181		202		246		266		287		309	
9	14,4	128		154		179		203		228		276		300		323		347	
10	15,9	142		171		199		226		253		307		333		359		386	
11	17,4	156		188		219		249		278		338		366		395		425	
12	18,9	170		205		239		271		304		368		400		431		463	
13	20,4	185		222		259		294		329		399		433		467		502	
14	21,9	199		239		279		316		354		430		466		503		540	
15	23,4	213		257		299		339		380		461		500		539		579	
16	24,9	227		274		318		362		405		491		533		574		618	
17	26,4	241		291		338		384		430		522		566		610		656	
18	27,9	256		308		358		407		455		553		599		646		695	
19	29,4	270		325		378		429		481		583		633		682		733	
20	30,9	284		342		398		452		506		614		666		718		772	
21	32,4	298		359		418		475		531		645		699		754		811	
22	33,9	312		376		438		497		557		675		733		790		849	
23	35,4	327		393		458		520		582		706		766		826		888	
24	36,9	341		410		478		542		607		737		799		862		926	
25	38,4	355		428		498		565		633		768		833		898		965	
26	39,9	369		445		517		588		658		798		866		933		1004	
27	41,4	383		462		537		610		683		829		899		969		1042	
28	42,9	398		479		557		633		708		860		932		1005		1081	
29	44,4	412		496		577		655		734		890		966		1041		1119	
30	45,9	426		513		597		678		759		921		999		1077		1158	
31	47,4	440		530		617		701		784		952		1032		1113		1197	
32	48,9	454		547		637		723		810		982		1066		1149		1235	
33	50,4	469		564		657		746		835		1013		1099		1185		1274	
34	51,9	483		581		677		768		860		1044		1132		1221		1312	

Height		140		150		160		170		180		190		200		220	
N° elements	Width (cm)	Watts $\Delta T 50^{\circ}C$	Price (€)	Watts $\Delta T 50^{\circ}C$	Price (€)	Watts $\Delta T 50^{\circ}C$	Price (€)	Watts $\Delta T 50^{\circ}C$	Price (€)	Watts $\Delta T 50^{\circ}C$	Price (€)	Watts $\Delta T 50^{\circ}C$	Price (€)	Watts $\Delta T 50^{\circ}C$	Price (€)	Watts $\Delta T 50^{\circ}C$	Price (€)
6	9,9	247		262		280		296		311		328		344		377	
7	11,4	288		305		326		345		363		383		402		440	
8	12,9	330		349		373		394		415		438		459		503	
9	14,4	371		392		419		444		467		492		517		566	
10	15,9	412		436		466		493		519		547		574		629	
11	17,4	453		480		513		542		571		602		631		692	
12	18,9	494		523		559		592		623		656		689		755	
13	20,4	536		567		606		641		675		711		746		818	
14	21,9	577		610		652		690		727		766		804		881	
15	23,4	618		654		699		740		779		821		861		944	
16	24,9	659		698		746		789		830		875		918		1006	
17	26,4	700		741		792		838		882		930		976		1069	
18	27,9	742		785		839		887		934		985		1033		1132	
19	29,4	783		828		885		937		986		1039		1091		1195	
20	30,9	824		872		932		986		1038		1094		1148		1258	
21	32,4	865		916		979		1035		1090		1149		1205		1321	
22	33,9	906		959		1025		1085		1142		1203		1263		1384	
23	35,4	948		1003		1072		1134		1194		1258		1320		1447	
24	36,9	989		1046		1118		1183		1246		1313		1378		1510	
25	38,4	1030		1090		1165		1233		1298		1368		1435		1573	
26	39,9	1071		1134		1212		1282		1349		1422		1492		1635	
27	41,4	1112		1177		1258		1331		1401		1477		1550		1698	
28	42,9	1154		1221		1305		1380		1453		1532		1607		1761	
29	44,4	1195		1264		1351		1430		1505		1586		1665		1824	
30	45,9	1236		1308		1398		1479		1557		1641		1722		1887	
31	47,4	1277		1352		1445		1528		1609		1696		1779		1950	
32	48,9	1318		1395		1491		1578		1661		1750		1837		2013	
33	50,4	1360		1439		1538		1627		1713		1805		1894		2076	
34	51,9	1401		1482		1584		1676		1765		1860		1952		2139	

CO 10 HORIZONTAL SINGLE

Radiator composed of horizontal fusion welded elements in 10 mm diameter steel with 28 mm diam. manifolds

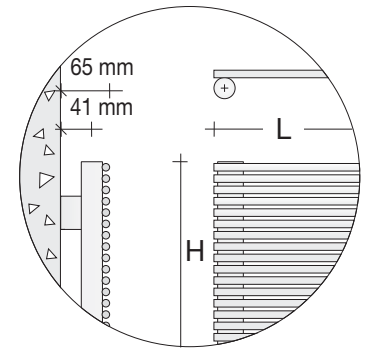


ORDER EXAMPLE

To correctly order this model follow the example specified below:

PRODUCT	CO10#200 018 0B1 ST 9010
CO10#200 018	Article code composed of Model, Width (200) and Number of elements (018)
0B1	Connector code found in the table here below
ST	Standard Support code found in the table here below
9010	Colour code found in the TUBES COLOUR CHART
ACCESSORIES	
Z1TLNR#AN R12 9010	Valve and Lockshield - Copper angle 1/2" for copper pipes or multi-layer pipes - White RAL 9010
Z1RAC#R12CRO	12mm diam. copper pipe unions for Valve+Lockshield - chrome finish (2)

For other types of Valves see the table below or those on pages 217 - 218 - 219 - 220.



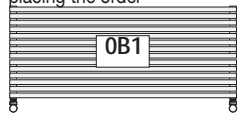
CONNECTORS

The radiators are supplied with "0B1" connectors as shown in the table here below.

If different connectors are required with strictly indicate this in the order. **IMPORTANT:** the connectors of towel warmers and radiators connected to the same system should all have the same configuration otherwise operating problems could occur.

Standard connectors

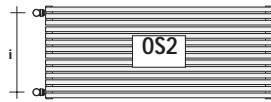
Will be supplied if not otherwise specified when placing the order



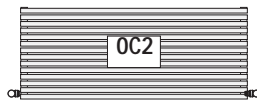
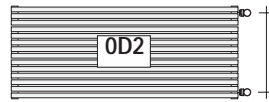
Inter-axis
l=L-3,4 cm

Custom-made connectors

Supplied on request WITH an additional price charge of € (NOT available in chrome-plated version)



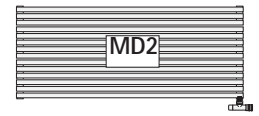
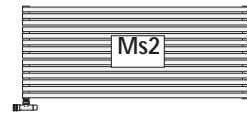
Inter-axis
l=H-3,8 cm



Inter-axis
l=L+13,8 cm

Connectors on request

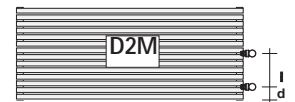
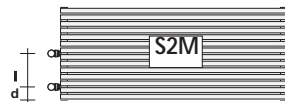
Supplied on request WITHOUT an additional price charge



single pipe

Custom-made connectors

Supplied on request WITH an additional price charge of € (NOT available in chrome-plated version)



Specify "i" and "d"
i min.=5 cm d min.=2 cm

SUPPORTS

The radiators are supplied with standard supports (code ST) that include the wall fixing shelves and the manual vent Valve.

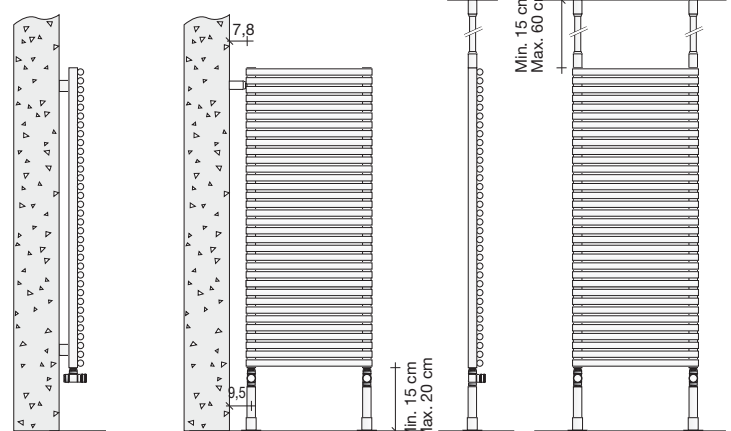
On request they can be ordered with bracket supports that are permanently welded on the towel warmers and therefore must be specified when placing the order, their code and cost are as follows:

code MD	WALL TYPE bracket support on the Right	€
code MS	WALL TYPE bracket support on the Left	€
code SO	CEILING TYPE bracket support	€

LIMITS

WALL TYPE bracket support	Width max 60.0 cm
CEILING TYPE bracket support	Width max 80.0 cm

The Chrome plated version cannot be supplied with bracket supports



Standard WALL type support (ST code)

WALL TYPE bracket support (MD code wall on right) (MS code wall on left)

CEILING TYPE bracket support (SO code)

ADDITIONAL COLOUR CHARGE (see the official Tubes Colour Chart)

Additional colour charges are calculated over the Pure white price (Cat. C0), for the other categories the additional charges herein below are applicable:

Category C1 and C2 +10%

C3 Category +20%

RAL not included in the colour chart +30%

According to samples Request feasibility and cost estimate

Standard VALVES (for Valves and Lockshields, valves that can be fitted with thermostat, Thermostatic valves, or Single pipe, Twin pipe, Stainless steel and thermostatic heads see pages 217 - 218 - 219 - 220)

	code	Description	Price
	Z1TLNR#ANR129010	Valve and Lockshield - ValCOLOR Copper Angle 1/2" RAL 9010 Glossy Pure White	€
	Z1RAC#R12CRO	2 copper unions diam. 12 mm for ValCOLOR Chrome finish Valve+Lockshield	€
	ZRCF2#	Kit with CHROME-PLATED pipe collars	€

CO 10D HORIZONTAL DOUBLE

Radiator composed of horizontal fusion welded elements in 10 mm diameter steel with 28 mm diam. manifolds

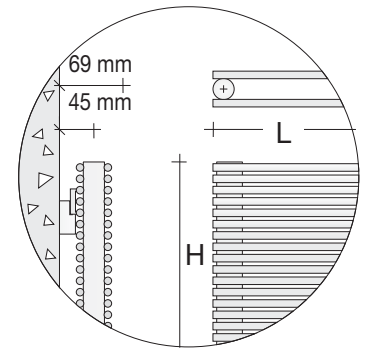


ORDER EXAMPLE

To correctly order this model follow the example specified below:

PRODUCT	CO10D#200 018 0B1 ST 9010
CO10D#200 018	Article code composed of Model, Width (200) and Number of elements (018)
0B1	Connector code found in the table here below
ST	Standard Support code found in the table here below
9010	Colour code found in the TUBES COLOUR CHART
ACCESSORIES	
Z1TLNR#AN R12 9010	Valve and Lockshield - Copper angle 1/2" for copper pipes or multi-layer pipes - White RAL 9010
Z1RAC#R12CRO	12mm diam. copper pipe unions for Valve+Lockshield - chrome finish (2)

For other types of Valves see the table below or those on pages 217 - 218 - 219 - 220.



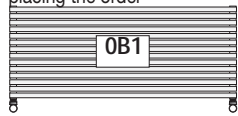
CONNECTORS

The radiators are supplied with "0B1" connectors as shown in the table here below.

If different connectors are required with strictly indicate this in the order. **IMPORTANT:** the connectors of towel warmers and radiators connected to the same system should all have the same configuration otherwise operating problems could occur.

Standard connectors

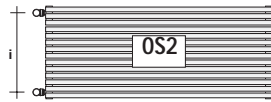
Will be supplied if not otherwise specified when placing the order



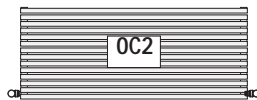
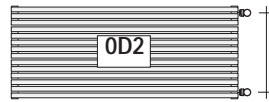
Inter-axis
l=L-3,4 cm

Custom-made connectors

Supplied on request WITH an additional price charge of € (NOT available in chrome-plated version)



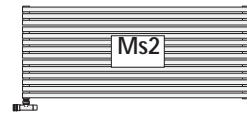
Inter-axis
l=H-3,8 cm



Inter-axis
l=L+13,8 cm

Connectors on request

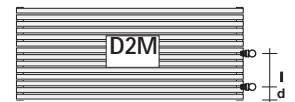
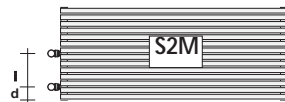
Supplied on request WITHOUT an additional price charge



single pipe

Custom-made connectors

Supplied on request WITH an additional price charge of € (NOT available in chrome-plated version)



Specify "i" and "d"
i min.=5 cm d min.=2 cm

SUPPORTS

The radiators are supplied with standard supports (code ST) that include the wall fixing shelves and the manual vent Valve.

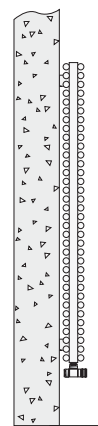
On request they can be ordered with bracket supports that are permanently welded on the towel warmers and therefore must be specified when placing the order, their code and cost are as follows:

- code MD WALL TYPE bracket support on the Right €
- code MS WALL TYPE bracket support on the Left €
- code SO CEILING TYPE bracket support €

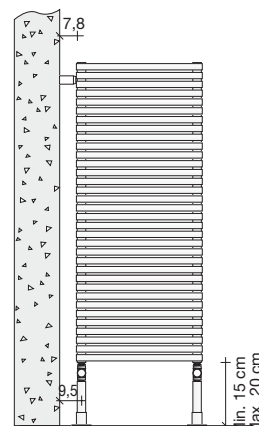
LIMITS

- WALL TYPE bracket support Width max 40.0 cm
- CEILING TYPE bracket support Width max 60.0 cm

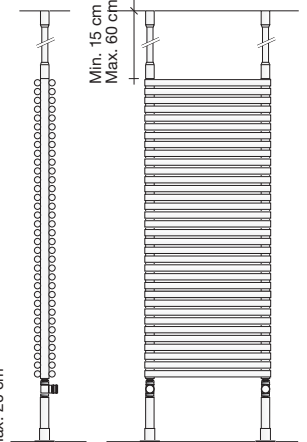
The Chrome plated version cannot be supplied with bracket supports



Standard WALL type support (ST code)



WALL TYPE bracket support (MD code wall on right) (MS code wall on left)



CEILING TYPE bracket support (SO code)

ADDITIONAL COLOUR CHARGE (see the official Tubes Colour Chart)

Additional colour charges are calculated over the Pure white price (Cat. C0), for the other categories the additional charges herein below are applicable:




Category C1 and C2 +10%

C3 Category +20%

RAL not included in the colour chart +30%

According to samples Request feasibility and cost estimate

Standard VALVES (for Valves and Lockshields, valves that can be fitted with thermostat, Thermostatic valves, or Single pipe, Twin pipe, Stainless steel and thermostatic heads see pages 217 - 218 - 219 - 220)

code	Description	Price
 Z1TLNR#ANR129010	Valve and Lockshield - ValCOLOR Copper Angle 1/2" RAL 9010 Glossy Pure White	€
 Z1RAC#R12CRO	2 copper unions diam. 12 mm for ValCOLOR Chrome finish Valve+Lockshield	€
 ZRCF2#	Kit with CHROME-PLATED pipe collars	€

CO 10D HORIZONTAL DOUBLE

Price per radiator with White RAL 9010 finish and standard connectors - VAT and transport charges excluded



Price below are for items with White RAL 9010 finish and standard connectors. VAT and transport costs not included.

Thermal yield ΔT 50°C - Watts per radiator

For correction factors different to ΔT 50°C see page 230

Width		40		50		60		70		80		100		110		120		130	
N° elements	Height (cm)	Watts ΔT 50°C	Price (€)	Watts ΔT 50°C	Price (€)	Watts ΔT 50°C	Price (€)	Watts ΔT 50°C	Price (€)	Watts ΔT 50°C	Price (€)	Watts ΔT 50°C	Price (€)	Watts ΔT 50°C	Price (€)	Watts ΔT 50°C	Price (€)	Watts ΔT 50°C	Price (€)
6	9,9	107		134		161		188		215		269		295		322		349	
7	11,4	124		155		186		217		248		311		342		373		404	
8	12,9	142		178		213		249		284		355		391		426		462	
9	14,4	160		199		239		279		319		399		439		479		518	
10	15,9	177		221		265		309		353		442		486		530		574	
11	17,4	193		242		290		339		387		484		532		580		629	
12	18,9	210		262		315		367		420		524		577		629		682	
13	20,4	226		282		338		395		451		564		621		677		733	
14	21,9	241		301		362		422		482		603		663		723		783	
15	23,4	256		320		384		448		512		640		704		768		832	
16	24,9	270		338		405		473		541		676		743		811		878	
17	26,4	284		355		426		497		568		710		781		852		923	
18	27,9	297		372		446		520		595		744		818		892		967	
19	29,4	310		388		465		543		620		776		853		931		1008	
20	30,9	322		402		482		563		643		804		884		965		1045	
21	32,4	334		418		501		585		668		835		919		1002		1086	
22	33,9	345		432		518		604		691		863		950		1036		1122	
23	35,4	356		445		534		623		712		890		979		1068		1157	
24	36,9	366		458		549		641		732		915		1007		1098		1190	
25	38,4	376		470		564		657		751		939		1033		1127		1221	
26	39,9	385		481		577		673		770		962		1058		1154		1250	
27	41,4	393		492		590		688		787		984		1082		1180		1279	
28	42,9	402		502		602		703		803		1004		1104		1205		1305	
29	44,4	409		511		614		716		818		1023		1125		1227		1330	
30	45,9	416		520		624		729		833		1041		1145		1249		1353	
31	47,4	423		529		635		740		846		1058		1163		1269		1375	
32	48,9	429		537		644		751		859		1073		1181		1288		1395	
33	50,4	435		544		653		762		870		1088		1197		1305		1414	
34	51,9	441		551		661		771		881		1102		1212		1322		1432	

Width		140		150		160		170		180		190		200		220	
N° elements	Height (cm)	Watts ΔT 50°C	Price (€)	Watts ΔT 50°C	Price (€)	Watts ΔT 50°C	Price (€)	Watts ΔT 50°C	Price (€)	Watts ΔT 50°C	Price (€)	Watts ΔT 50°C	Price (€)	Watts ΔT 50°C	Price (€)	Watts ΔT 50°C	Price (€)
6	9,9	376		403		430		457		483		510		537		591	
7	11,4	435		466		497		528		559		590		621		683	
8	12,9	497		533		568		604		639		675		710		781	
9	14,4	558		598		638		678		718		758		798		877	
10	15,9	618		663		707		751		795		839		883		972	
11	17,4	677		725		774		822		870		919		967		1064	
12	18,9	734		787		839		891		944		996		1049		1154	
13	20,4	790		846		903		959		1015		1072		1128		1241	
14	21,9	844		904		964		1024		1085		1145		1205		1326	
15	23,4	896		960		1024		1088		1152		1216		1280		1408	
16	24,9	946		1014		1081		1149		1216		1284		1351		1487	
17	26,4	994		1065		1136		1208		1279		1350		1421		1563	
18	27,9	1041		1115		1190		1264		1338		1413		1487		1636	
19	29,4	1086		1163		1241		1318		1396		1473		1551		1706	
20	30,9	1126		1206		1286		1367		1447		1528		1608		1769	
21	32,4	1169		1253		1336		1420		1504		1587		1671		1838	
22	33,9	1208		1295		1381		1467		1554		1640		1726		1899	
23	35,4	1246		1335		1424		1513		1602		1691		1780		1958	
24	36,9	1281		1373		1464		1556		1647		1739		1830		2013	
25	38,4	1315		1409		1503		1597		1691		1784		1878		2066	
26	39,9	1347		1443		1539		1635		1731		1828		1924		2116	
27	41,4	1377		1475		1574		1672		1770		1869		1967		2164	
28	42,9	1405		1506		1606		1706		1807		1907		2008		2208	
29	44,4	1432		1534		1637		1739		1841		1944		2046		2250	
30	45,9	1457		1561		1665		1769		1873		1978		2082		2290	
31	47,4	1481		1586		1692		1798		1904		2009		2115		2327	
32	48,9	1503		1610		1717		1825		1932		2039		2147		2361	
33	50,4	1523		1632		1741		1849		1958		2067		2176		2393	
34	51,9	1542		1652		1762		1873		1983		2093		2203		2423	

CO 10G HORIZONTAL CHROME-PLATED

Radiator composed of horizontal fusion welded elements in 10 mm diameter steel with 28 mm diam. manifolds

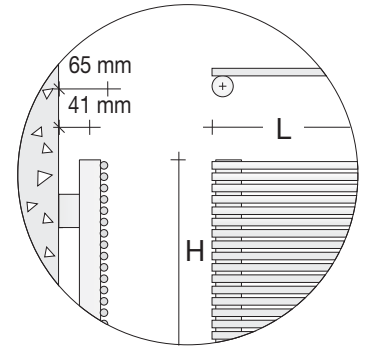


ORDER EXAMPLE

To correctly order this model follow the example specified below:

PRODUCT	CO10G#200 018 0B1 ST CRO
CO10G#200 018	Article code composed of Model, Width (200) and Number of elements (018)
0B1	Connector code found in the table here below
ST	Standard Support code found in the table here below
CRO	Colour code found in the TUBES COLOUR CHART
ACCESSORIES	
Z1TLNRG#AN R12 CRO	Valve and Lockshield - Copper angle 1/2" for copper pipes or multi-layer pipes - CHROME
Z1RAC#R12CRO	12mm diam. copper pipe unions for Valve+Lockshield - chrome finish (2)

For other types of Valves see the table below or those on pages 217 - 218 - 219 - 220.



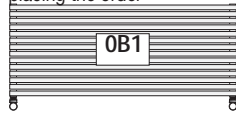
CONNECTORS

The radiators are supplied with "0B1" connectors as shown in the table here below.

If different connectors are required with strictly indicate this in the order. **IMPORTANT:** the connectors of towel warmers and radiators connected to the same system should all have the same configuration otherwise operating problems could occur.

Standard connectors

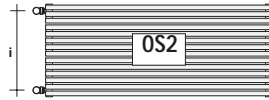
Will be supplied if not otherwise specified when placing the order



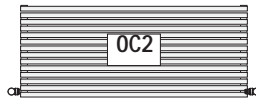
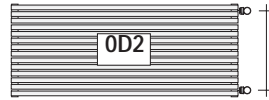
Inter-axis
l=L-3,4 cm

Custom-made connectors

Supplied on request WITH an additional price charge of €



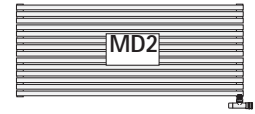
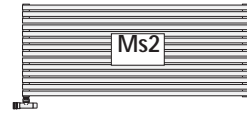
Inter-axis
l=H-3,8 cm



Inter-axis
l=L+13,8 cm

Connectors on request

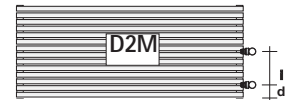
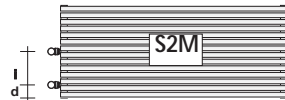
Supplied on request WITHOUT an additional price charge



single pipe

Custom-made connectors

Supplied on request WITH an additional price charge of € (NOT available in chrome-plated version)

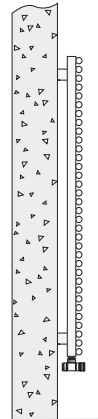


Specify "i" and "d"
i min.=5 cm d min.=2 cm

SUPPORTS

The radiators are supplied with standard supports (code ST) that include the wall fixing shelves and the manual vent Valve.

The Chrome plated version cannot be supplied with bracket supports



Standard WALL type support (ST code)

ADDITIONAL CHARGES FOR FINISHES (see the official Tubes Colour Chart)

Additional colour/finish charges are calculated over the Pure white (Category C0) price for coloured finishes, and over the Chrome (Category G0) price for plated finishes.

G1 Category	Nickel Satin finish (NIS code) NOT available
G5 (14kt Gold) Category	+50%
G6 (24kt Gold) Category	+60%

Standard VALVES (for Valves and Lockshields, valves that can be fitted with thermostat, Thermostatic valves, or Single pipe, Twin pipe, Stainless steel and thermostatic heads see pages 217 - 218 - 219 - 220)

	code	Description	Price
	Z1TLNRG#ANR12CRO	Valve and Lockshield - ValCOLOR Copper Angle 1/2" Glossy CHROME	€
	Z1RAC#R12CRO	2 copper unions diam. 12 mm for ValCOLOR Chrome finish Valve+Lockshield	€
	ZRCF2#	Kit with CHROME-PLATED pipe collars	€

