



# LOLA<sup>®</sup> HORIZONTAL

POLISHED STAINLESS STEEL / SATIN STAINLESS STEEL / DECOR

INOX

*Destination bathroom: comfort and relax shaped into Lola sinuous and surrounding design. Entirely made in stainless steel Lola<sup>®</sup> will catch your eyes with the reflection of light created by the polish finishing or by the elegance of the satin one, to make your bathroom unique and comfortable. Lola<sup>®</sup> is available both horizontal and vertical and can be dressed with useful accessories.*

**Material:**

- Vertical collectors in stainless steel with  $\varnothing$  of 38 mm..
- Horizontal heating elements in stainless steel 30x10 mm.

**Fixing kit:**

- Brackets
- Airvent
- Blind Plug
- Hexagonal tool
- Plugs and screws for mounting suitable for use on compact or hollow brick walls
- User notice

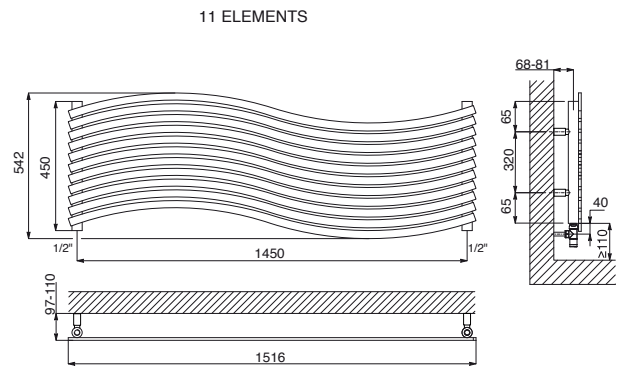
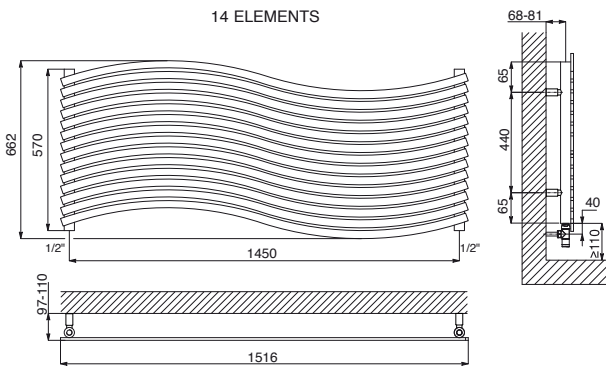
**Packaging:**

The radiator is protected by a recyclable film in polyethylene and with a box in recyclable carton. User notice included.

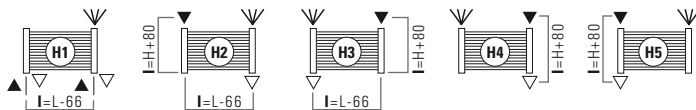
**Features:**

It is totally made in stainless steel with an unalterable finishing guaranteed during the years.

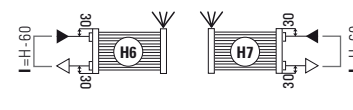
P. max: 8 bar	Available for central heating systems
T. max: 95° C	Connections: n° 2 x 1/2" gas - n° 1 x 1/2" gas for Airvent



STANDARD CONNECTIONS



SPECIAL CONNECTIONS



LEGEND	
	In
	Airvent
	Out
	H Height
	Connection
	Width=20 - Height=15
	L Width

Always specify the kind of connection needed when ordering (from H1 to H7). Bidirectional connection not possible.

ACCESSORIES



**POLISHED** MANUAL ELEGANT REVERSE VALVE KIT



**SATIN** MANUAL ELEGANT REVERSE VALVE KIT



KIT 2 HOOKS  
**POLISHED** STAINLESS STEEL  
Code Nr. 5991990010223

KIT 2 HOOKS  
**SATIN** STAINLESS STEEL  
Code Nr. 5991990010224

C	Code Nr.	M	Code Nr.
Ø 10/12/14/15/16	5991990301010	Ø 14/16/18	5991990301009

C = Copper connection • M = Multilayer connection

C	Code Nr.	M	Code Nr.
Ø 10/12/14/15/16	5991990321010	Ø 14/16/18	5991990321009

C = Copper connection • M = Multilayer connection

Accessories and spare parts - see page 157.

**GOLD VILLA  
A W A R D**

**LOLA® POLISHED STAINLESS STEEL**

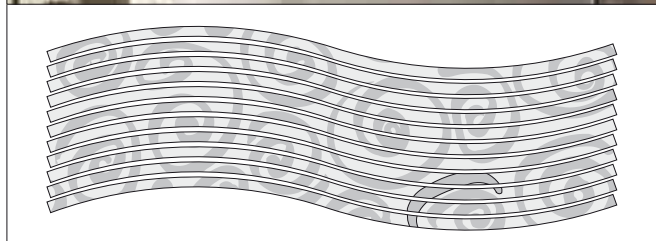
N° ELEMENTS	Version	Height	Width	Pipe Centres	Dry Weight	Water Content	Thermal output $\Delta t = 50^{\circ}\text{C}$		75/65/20°C ( $\Delta t=50^{\circ}\text{C}$ )
		[mm]	L [mm]	l [mm]	[Kg]	[lt]	Watts	Kcal/h	* Thermal output $\phi$ in Watts and $\Delta t$ in °C
11	HORIZONTAL	<b>450</b>	1516	1450	15,5	4,1	484	416	$\phi = 3,4571 * \Delta t^{1,2632}$
14		<b>570</b>	1516	1450	19,0	5,1	616	530	$\phi = 4,2047 * \Delta t^{1,2748}$

\* For output at different  $\Delta t$  than 50°C, see page 162.


**GOLD VILLA  
A W A R D**
**LOLA® SATIN STAINLESS STEEL**

N° ELEMENTS	Version	Height	Width	Pipe Centres	Dry Weight	Water Content	Thermal output $\Delta t = 50^{\circ}\text{C}$		75/65/20°C ( $\Delta t=50^{\circ}\text{C}$ )
		[mm]	L [mm]	l [mm]	[Kg]	[lt]	Watts	Kcal/h	* Thermal output $\phi$ in Watts and $\Delta t$ in °C
11	HORIZONTAL	<b>450</b>	1516	1450	15,5	4,1	549	472	$\phi = 3,8005 * \Delta t^{1,2712}$
14		<b>570</b>	1516	1450	19,0	5,1	698	600	$\phi = 4,6612 * \Delta t^{1,2804}$

\* For output at different  $\Delta t$  than 50°C, see page 162.


**GOLD VILLA  
A W A R D**

**LOLA® INOX DECOR**

N° ELEMENTS	Version	Height	Width	Pipe Centres	Dry Weight	Water Content	Thermal output $\Delta t = 50^{\circ}\text{C}$		75/65/20°C ( $\Delta t=50^{\circ}\text{C}$ )
		[mm]	L [mm]	l [mm]	[Kg]	[lt]	Watts	Kcal/h	* Thermal output $\phi$ in Watts and $\Delta t$ in °C
11	HORIZONTAL	<b>450</b>	1516	1450	15,5	4,1	484	416	$\phi = 3,4571 * \Delta t^{1,2632}$
14		<b>570</b>	1516	1450	19,0	5,1	616	530	$\phi = 4,2047 * \Delta t^{1,2748}$

\* For output at different  $\Delta t$  than 50°C, see page 162.



# LOLA<sup>®</sup> VERTICAL

POLISHED STAINLESS STEEL / SATIN STAINLESS STEEL / DECOR

INOX

*Destination bathroom: comfort and relax shaped into Lola sinuous and surrounding design. Entirely made in stainless steel Lola<sup>®</sup> will catch your eyes with the reflection of light created by the polish finishing or by the elegance of the satin one, to make your bathroom unique and comfortable. Lola<sup>®</sup> is available both horizontal and vertical and can be dressed with useful accessories.*

**Material:**

- Horizontal collectors in stainless steel with  $\varnothing$  of 38 mm.
- Vertical heating elements in stainless steel 30x10 mm.

**Fixing kit:**

- Brackets
- Airvent
- Blind Plug
- Hexagonal tool
- Plugs and screws for mounting suitable for use on compact or hollow brick walls
- User notice

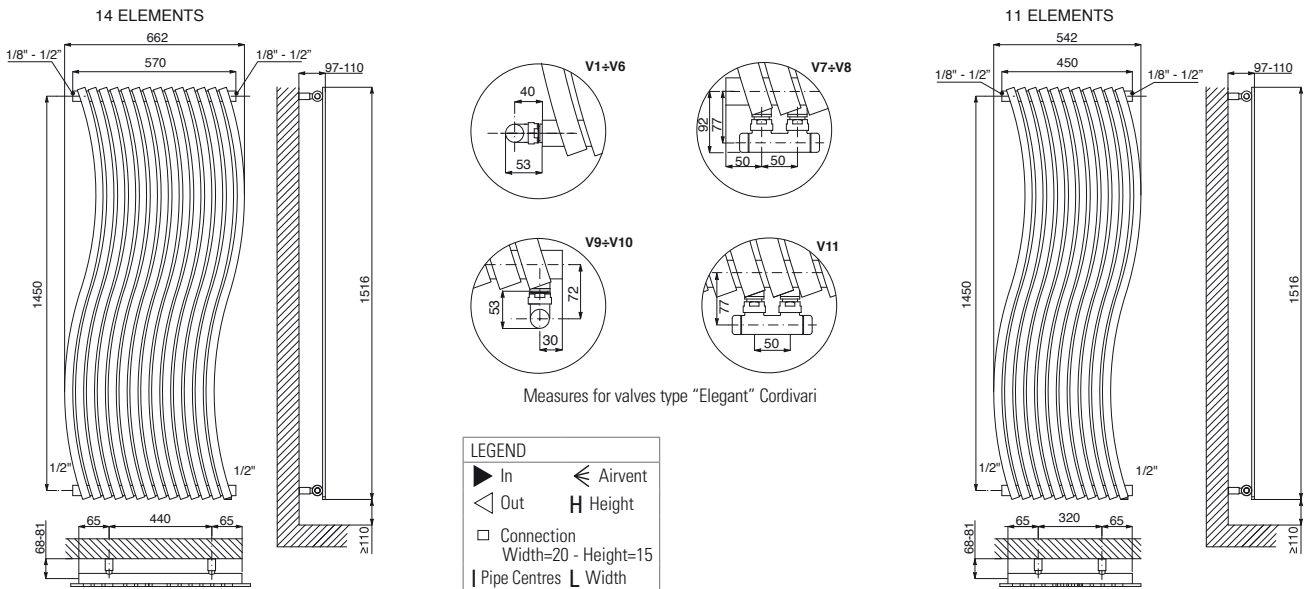
**Packaging:**

The radiator is protected by a recyclable film in polyethylene and with a box in recyclable carton. User notice included.

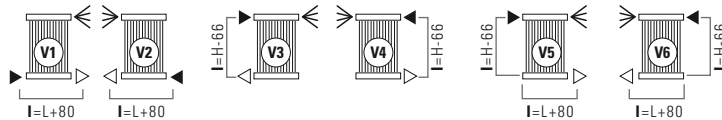
**Features:**

It is totally made in stainless steel with an unalterable finishing guaranteed during the years.

P. max: 8 bar	Available for central heating systems
T. max: 95° C	Connections: n° 2 x 1/2" gas - n° 1 x 1/8" gas

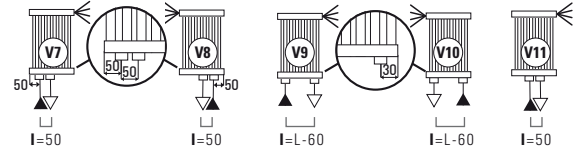


**STANDARD CONNECTIONS**

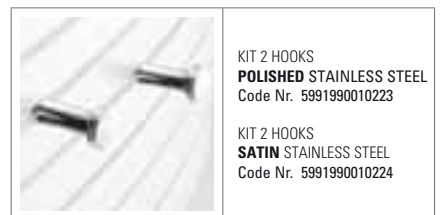


Always specify the kind of connection needed when ordering (from V1 to V11). Bidirectional connection not possible.

**SPECIAL CONNECTIONS**



**ACCESSORIES**



C	Code Nr.	M	Code Nr.
Ø 10/12/14/15/16	5991990301010	Ø 14/16/18	5991990301009

C = Copper connection • M = Multilayer connection

C	Code Nr.	M	Code Nr.
Ø 10/12/14/15/16	5991990321010	Ø 14/16/18	5991990321009

C = Copper connection • M = Multilayer connection

Accessories and spare parts - see page 157.


**GOLD VILLA  
A W A R D**
**LOLA® POLISHED STAINLESS STEEL**

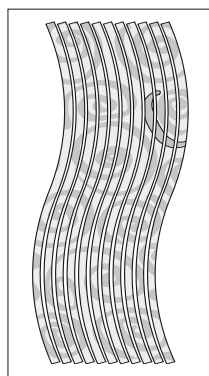
N° ELEMENTS	Version	Height	Width	Pipe Centres	Dry Weight	Water Content	Thermal output $\Delta t = 50^{\circ}\text{C}$		75/65/20°C ( $\Delta t=50^{\circ}\text{C}$ )
		[mm]	L [mm]	I [mm]	[Kg]	[lt]	Watts	Kcal/h	* Thermal output $\phi$ in Watts and $\Delta t$ in °C
11	VERTICAL	<b>1516</b>	450	1450	15,5	4,1	507	436	$\phi = 3,4634 * \Delta t^{1,2746}$
14		<b>1516</b>	570	1450	19,0	5,1	645	555	$\phi = 4,1843 * \Delta t^{1,2878}$

\* For output at different  $\Delta t$  than  $50^{\circ}\text{C}$ , see page 162.


**GOLD VILLA  
A W A R D**
**LOLA® SATIN STAINLESS STEEL**

N° ELEMENTS	Version	Height	Width	Pipe Centres	Dry Weight	Water Content	Thermal output $\Delta t = 50^{\circ}\text{C}$		75/65/20°C ( $\Delta t=50^{\circ}\text{C}$ )
		[mm]	L [mm]	I [mm]	[Kg]	[lt]	Watts	Kcal/h	* Thermal output $\phi$ in Watts and $\Delta t$ in °C
11	VERTICAL	<b>1516</b>	450	1450	15,5	4,1	557	479	$\phi = 3,7067 * \Delta t^{1,2811}$
14		<b>1516</b>	570	1450	19,0	5,1	708	609	$\phi = 4,4847 * \Delta t^{1,2939}$

\* For output at different  $\Delta t$  than  $50^{\circ}\text{C}$ , see page 162.


**GOLD VILLA  
A W A R D**
**LOLA® INOX DECOR**

N° ELEMENTS	Version	Height	Width	Pipe Centres	Dry Weight	Water Content	Thermal output $\Delta t = 50^{\circ}\text{C}$		75/65/20°C ( $\Delta t=50^{\circ}\text{C}$ )
		[mm]	L [mm]	I [mm]	[Kg]	[lt]	Watts	Kcal/h	* Thermal output $\phi$ in Watts and $\Delta t$ in °C
11	VERTICAL	<b>1516</b>	450	1450	15,5	4,1	507	436	$\phi = 3,4634 * \Delta t^{1,2746}$
14		<b>1516</b>	570	1450	19,0	5,1	645	555	$\phi = 4,1843 * \Delta t^{1,2878}$

\* For output at different  $\Delta t$  than  $50^{\circ}\text{C}$ , see page 162.