

LAME

design Davide Brembilla

LAME is composed of rectangular tubes connected by round bars. No manifold. The heating elements cut the air like knives and stand alongside one another in light

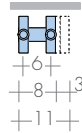
and varied configuration to create a new heating shape like no other and enliven modern sculpture for interior décor. LAME surprises with its diversity,

highly particular functionality, force of technology, creativity, and skilful blend of materials.

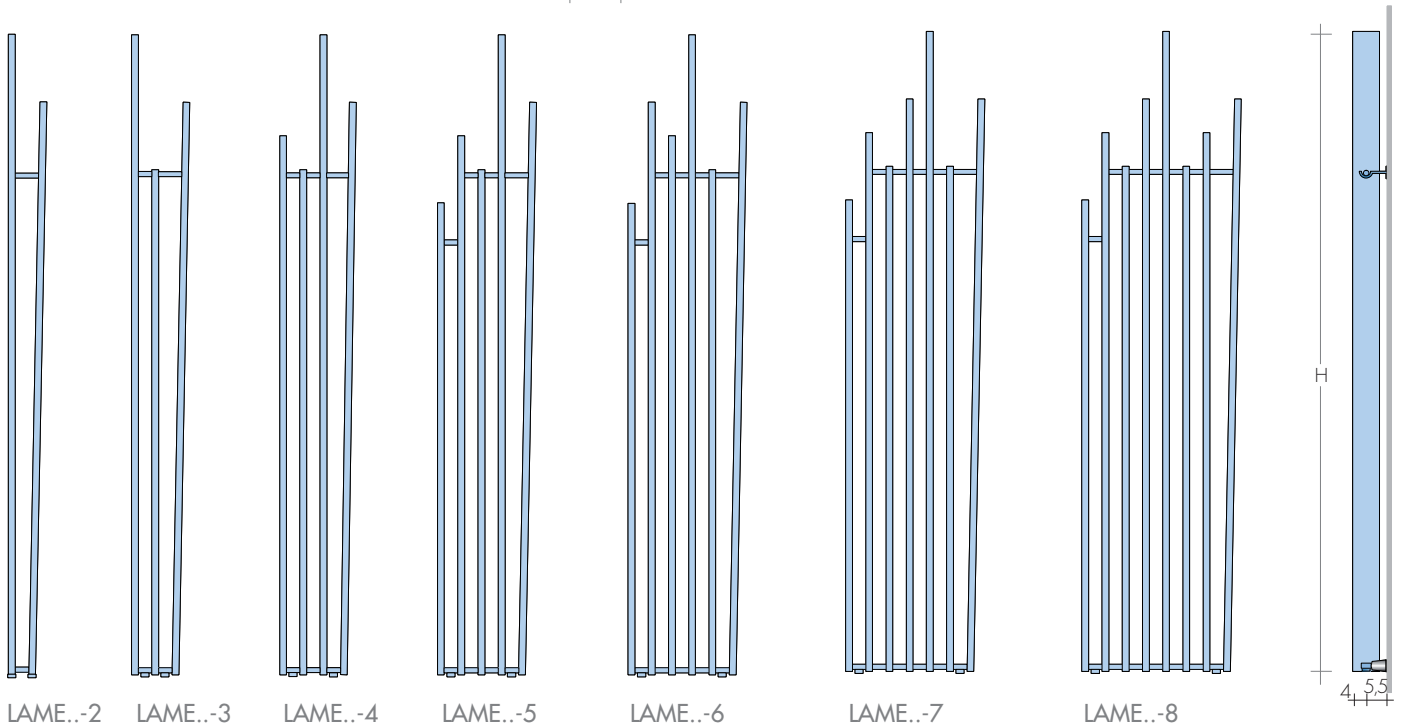
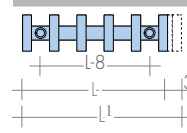
DIMENSIONS

H from 190 to 230 cm
L from 11 to 47 cm
Depth 8 cm
Depth from wall 9,5 cm

2 elements



from 3 to 8 elements



MOD.	n° tubi	2	3	4	5	6	7	8	EN 442 Watt Δt 50 K
H cm	L cm	11	17	23	29	35	41	47	
	▲ ▽ cm	6	6	12	18	24	30	36	
LAME 190	€	460,20 350w	565,70 496w	*671,30 652w	776,90 788w	*882,40 953w	988,00 1109w	1093,60 1255w	
LAME 210	€	*487,40 389w	606,80 554w	726,20 730w	845,60 885w	965,00 1070w	*1084,30 1245w	*1203,70 1411w	
LAME 230	€	513,40 428w	645,30 613w	777,20 807w	909,00 982w	1042,00 1187w	1172,60 1381w	1303,30 1566w	

*LAME electric version p. 223, 225
Δt different from 50K: technical data Brem

Extra prices for electric versions

LAME 190-23	Art.R650IIE	142,80€
LAME 190-35	Art.RD900IIE	182,90€
LAME 210-11	Art.R400IIE	117,10€
LAME210-41	Art.RD1200IIE	215,10€
LAME210-47	Art.RD1500IIE	254,20€

MAXIMUM OPERATING PRESSURE 3 BAR

STANDARD PRODUCTION

White "sablé" SB9010 paintwork-white brackets
Tolerance ± 3mm - Air vent ø 1/8"
E.g.: LAME 190-23, EG ø 1/2", SB9010

PRODUCTION ON REQUEST

Paint to Brem color list with brackets same color as radiator +15/35%
Supports and fixings page 228

STANDARD FITTING

EG ø 1/2"
Made-to-measure fitting by estimate



LAME-UP

design Davide Brembilla

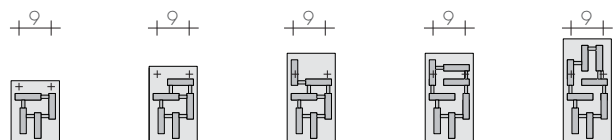
LAME-Up is free-standing radiator designed by Davide Brembilla, its heating body

acting like a totem pole in the centre of a room. The fins, arranged vertically, produce

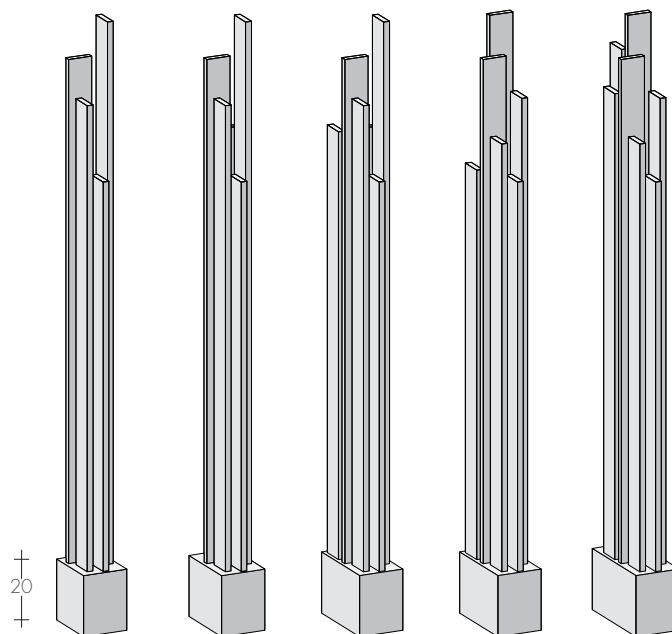
a new, versatile and highly functional way to exploit the available volumes.

MODEL

H from ground: from 195 to 235 cm
L: 15 cm
Depth: 19 / 23 / 27 / 31 cm
Depth from wall: 9,5 cm



LAME-UP 4 LAME-UP 5 LAME-UP 6 LAME-UP 7 LAME-UP 8



LAME-UP 4 LAME-UP 5 LAME-UP 6 LAME-UP 7 LAME-UP 8

MODEL	H - n° cm - tubes	€	Watt Δt 50 K	▲ ▼ t.c. cm	Height cm	Width cm	Depth cm	EN 442 Watt Δt 50 K	
								Peso M Kg	Volume V dm³
LAME-UP	200-4	760,40	641	9	200	15	19	18,9	8,0
LAME-UP	200-5	941,70	809	9	200	15	23	23,7	10,1
LAME-UP	200-6	1067,60	935	9	200	15	27	27,3	11,7
LAME-UP	200-7	1211,30	1082	9	200	15	27	31,5	13,5
LAME-UP	200-8	1371,40	1250	9	200	15	31	36,3	15,6
LAME-UP	230-4	828,10	767	9	230	15	19	22,5	9,6
LAME-UP	230-5	1017,00	966	9	230	15	23	28,2	12,0
LAME-UP	230-6	1157,60	1124	9	230	15	27	32,7	14,0
LAME-UP	230-7	1312,40	1302	9	230	15	27	37,8	16,2
LAME-UP	230-8	1480,00	1502	9	230	15	31	43,5	18,7

ON REQUEST, all the sides of the base are colored if the radiator is placed detached from wall (tapping centres 9 cm) Art. LU 100,80€

MAXIMUM OPERATING PRESSURE 3 BAR

STANDARD PRODUCTION
White "sablé" SB9010 paintwork
white brackets - Tolerance ± 3mm

PRODUCTION ON REQUEST
Paint to Brem color list with brackets
same color as radiator +15/35%

STANDARD FITTING
EG ø 1/2"
Air vent ø 1/8"

