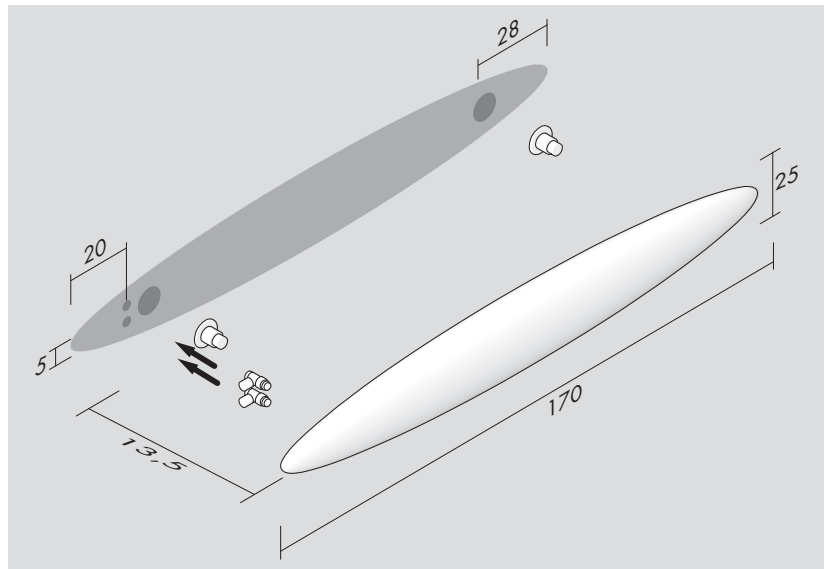
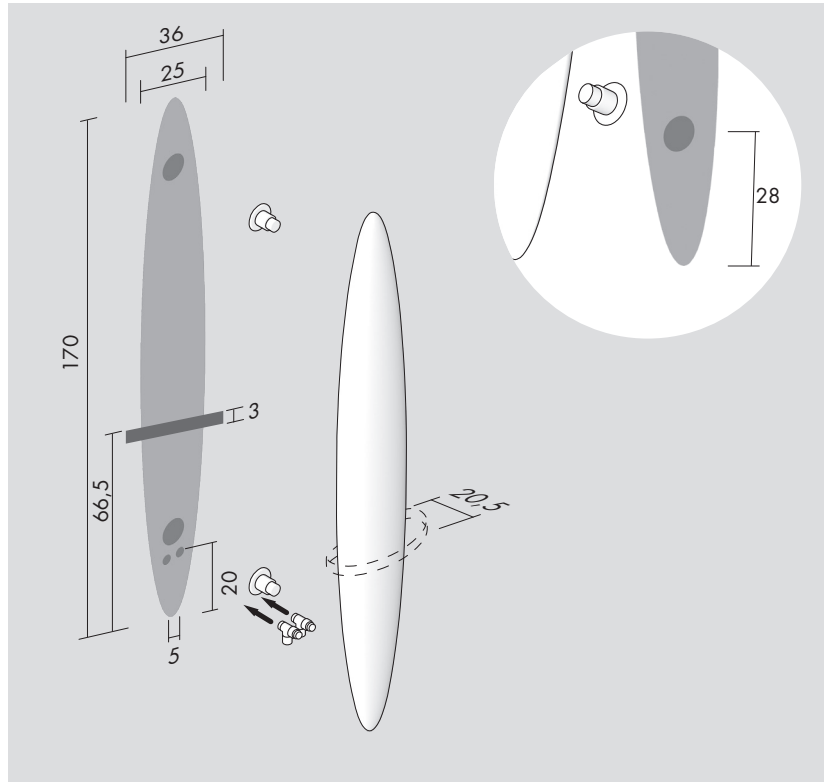


# Blade

DESIGN PETER RANKIN



Kcal = Watt x 0.860  
BTU = Watt x 3.413

Watt Δt 60° = Watt Δt 50° x 1.267  
Watt Δt 40° = Watt Δt 50° x 0.748  
Watt Δt 30° = Watt Δt 50° x 0.515  
Watt Δt 20° = Watt Δt 50° x 0.304

p max = 5.0 bar

## Blade V

H cm	L cm	I* cm	art*	Lt*	watt Δt 30°	watt Δt 50°	watt Δt 30°	watt Δt 50°
170.0	25.0	5.0	<b>BLV170001_</b>	9.4	207	<b>402</b>	145	<b>281</b>

## Blade O

H cm	L cm	I* cm	art*	Lt*	watt Δt 30°	watt Δt 50°	watt Δt 30°	watt Δt 50°
25.0	170.0	5.0	<b>BLO170001_</b>	9.4	207	<b>402</b>	145	<b>281</b>

**CRSM** Brushed chrome / Chrome brossé / Gebürstet Chrome / Cromo cepillado

### Optional



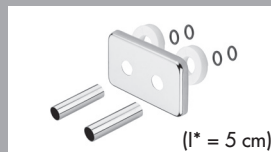
Straight Valve  
Vanne droit  
Durchgangs Ventil  
Válvula recta

[BIAN] **E12DRB**  
[CROM] **E12DRR**



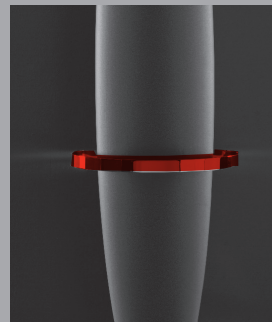
Thermostatic head  
Tête thermostatique  
Thermostatkopf  
Cabezal termostático

[BIAN] **TTB**  
[CROM] **TTR**



Sleeving kit  
Kit couvre tuyau  
Rosetten  
Kit cubre tubo

[BIAN] **C5B**  
[CROM] **C5R**



Towel bar  
Porte-serviettes  
Handtuchhalter  
Porta toallas

[CROM] **MBR**  
[COLOUR] **MBC**  
[GOLD] **MBG**

**art\*** = item / modèle / Artikel / artículo    **I\*** = pipe centres / distance entre depart et retour / Achsabstand / distancia entre las conexiones  
**Lt\*** = water content for each element / volume d'eau pour chaque element / Wassergehalt für Element / contenido de agua por cada elemento  
**P\*** = page / page / Seite / página