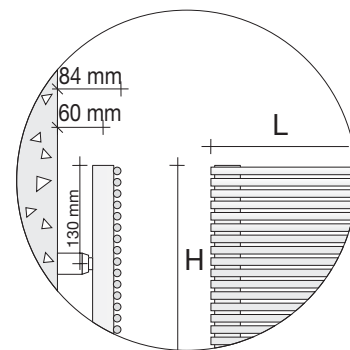


## ORDER EXAMPLE

To correctly order this model follow the example specified below:

|                    |  |
|--------------------|--|
| <b>PRODUCT</b>     | <b>BA10X#080050 0B1 ST SPA</b>   |
| BA10X#080050       | Article code found in the prices table on the side                     |
| 0B1                | Connector code found in the table here below                           |
| ST                 | Standard Support code found in the table here below                    |
| SPA                | Brushed stainless steel code   |
| <b>ACCESSORIES</b> |  |
| Z1TMNR#AN R12 SPA  | Valve and Lockshield - stainless STEEL Copper Angle 1/2"               |
| Z1RACX#R12SPA      | 12mm diam. copper pipe unions for Valve+Lockshield – chrome finish (2) |

For other types of Valves see the table below or those on pages 217 - 218 - 219 - 220.



## CONNECTORS

The towel warmers are supplied with "0B1" connectors.

If different connectors are required, strictly indicate this in the order. **IMPORTANT:** the connectors of towel warmers and radiators connected to the same system should all have the same configuration otherwise operating problems could occur.

### Standard connectors

Will be supplied if not otherwise specified when placing the order

### Rear connector

Supplied on request WITH an additional price charge of €

### Custom-made connectors

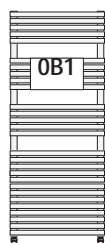
Supplied on request WITH an additional price charge of € (NOT available in chrome-plated version)

### Connectors on request

Supplied on request WITHOUT an additional price charge

### Custom-made connectors

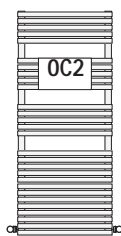
Supplied on request WITH an additional price charge of € (NOT available in chrome-plated version)



Inter-axis  
l=L-3,4 cm



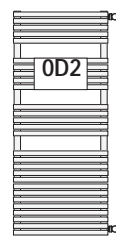
l=L-3,4 cm  
rear connector for connection to **GVR**



Inter-axis  
l=L+13,8 cm



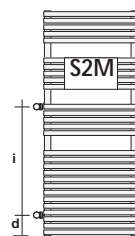
Inter-axis  
l=H-3,8 cm



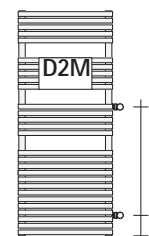
Inter-axis  
l=H-3,8 cm



single pipe



Specify "i" and "d"  
i min.=5 cm  
d min.=2 cm



## SUPPORTS

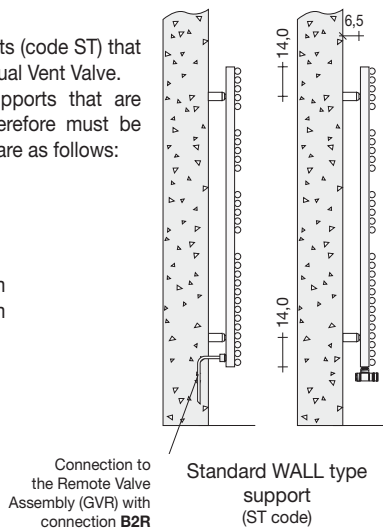
The towel warmers are supplied with standard supports (code ST) that include wall fixing shelves, pressure anchors and manual Vent Valve.

On request they can be ordered with bracket supports that are permanently welded on the towel warmers and therefore must be specified when placing the order, their code and cost are as follows:

|         |  |   |
|---------|--|---|
| code MD | WALL TYPE bracket support on the Right | € |
| code MS | WALL TYPE bracket support on the Left  | € |
| code SO | CEILING TYPE bracket support           | € |

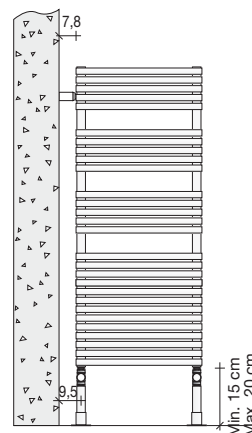
## LIMITS

|                              |                   |
|------------------------------|-------------------|
| WALL TYPE bracket support    | Width max 60.0 cm |
| CEILING TYPE bracket support | Width max 80.0 cm |

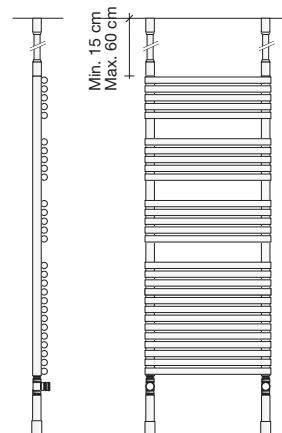


Connection to the Remote Valve Assembly (GVR) with connection **B2R**

Standard WALL type support (ST code)



WALL TYPE bracket support (MD code wall on right) (MS code wall on left)

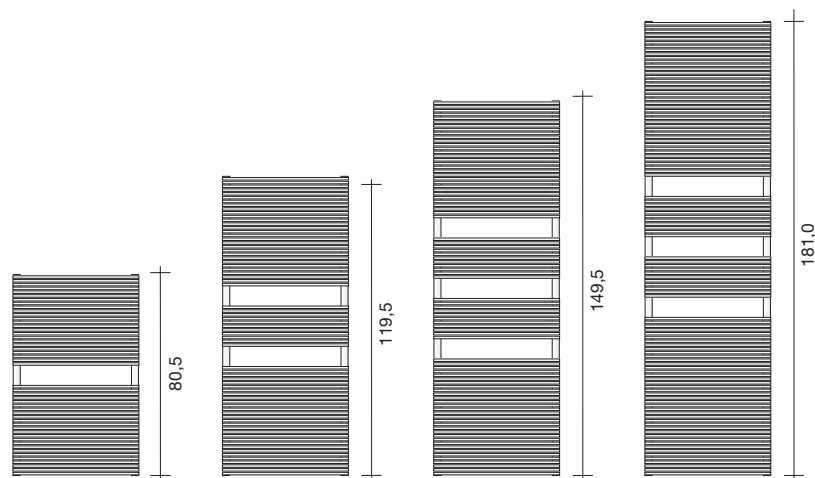


CEILING TYPE bracket support (SO code)

## Standard VALVES (for Valves and Lockshields, valves that can be fitted with thermostat, Thermostatic valves, or Single pipe, Twin pipe, Stainless steel and thermostatic heads see pages 217 - 218 - 219 - 220)

| code            | Description   | Price |
|-----------------|---|-------|
| Z1TMNR#ANR12SPA | Valve and Lockshield - stainless STEEL Copper Angle 1/2" Brushed stainless steel finish | €     |
| Z1RACX#R12SPA   | 2 Copper unions diam. 12 mm for STAINLESS STEEL brushed finish Valve+Lockshield         | €     |
| ZRCFG#          | Kit with pipe collars for towel warmers   | €     |

| code | Description   | Price |
|------|---|-------|
| GVR# | Valve and Lockshield assembly for recessed remote connection, CHROME finish | €     |
| GVR# | Valve and Lockshield assembly for recessed remote connection, COLOUR finish | €     |



| Code         | H<br>(cm) | L<br>(cm) | Inter-axis<br>(cm) | Water<br>Content (l) | Thermal yield |               | Price<br>Stainless<br>steel (€) |
|--------------|-----------|-----------|--------------------|----------------------|---------------|---------------|---------------------------------|
|              |           |           |                    |                      | Watts ΔT 50°C | Watts ΔT 30°C |                                 |
| BA10X#080040 | 80,5      | 40,0      | 36,6               | 1,51                 | 297           | 155           |                                 |
| BA10X#080050 |           | 50,0      | 46,6               | 1,88                 | 398           | 208           |                                 |
| BA10X#080060 |           | 60,0      | 56,6               | 2,26                 | 500           | 262           |                                 |
| BA10X#120040 | 119,5     | 40,0      | 36,6               | 2,17                 | 434           | 225           |                                 |
| BA10X#120050 |           | 50,0      | 46,6               | 2,71                 | 552           | 289           |                                 |
| BA10X#120060 |           | 60,0      | 56,6               | 3,25                 | 670           | 353           |                                 |
| BA10X#150040 | 149,5     | 40,0      | 36,6               | 2,64                 | 546           | 282           |                                 |
| BA10X#150050 |           | 50,0      | 46,6               | 3,30                 | 678           | 354           |                                 |
| BA10X#150060 |           | 60,0      | 56,6               | 3,96                 | 811           | 429           |                                 |
| BA10X#180040 | 181,0     | 40,0      | 36,6               | 3,30                 | 665           | 343           |                                 |
| BA10X#180050 |           | 50,0      | 46,6               | 4,12                 | 829           | 432           |                                 |
| BA10X#180060 |           | 60,0      | 56,6               | 4,95                 | 993           | 523           |                                 |

Towel warmers available in stock with OB1 connector

For correction factors different to ΔT 50°C see page 230

# IXSTEEL BA 10X I5

Towel warmer composed of horizontal 10 mm diam. stainless steel elements fusion welded elements with 28 mm diam. manifolds



## ORDER EXAMPLE

To correctly order this model follow the example specified below:

### PRODUCT

BA10Xi5#080050  
0B1  
ST  
SPA

### BA10Xi5#080050 0B1 ST SPA

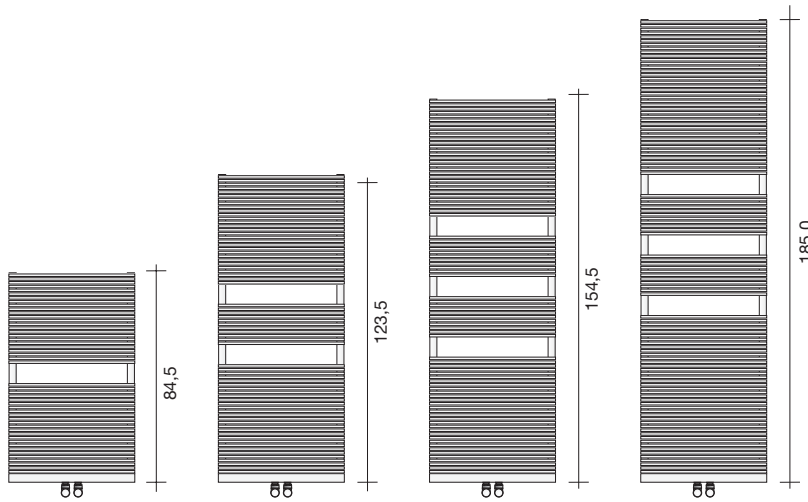
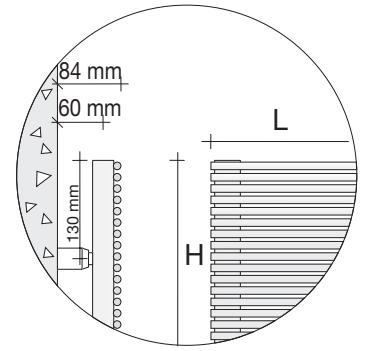
Article code found in the prices table here below  
Connector code found in the table here below  
Standard Support code found in the table here below  
Brushed stainless steel code

### ACCESSORIES

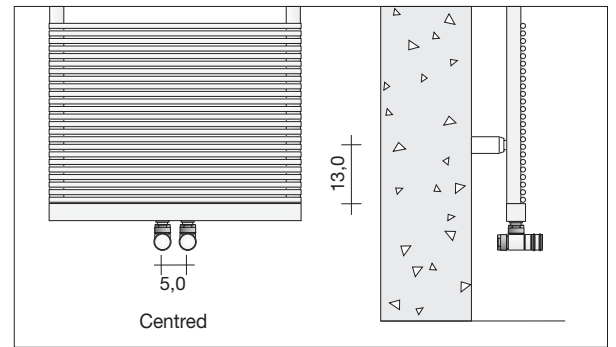
Z1TMNR#AN R12 SPA  
Z1RACX#R12SPA

Valve and Lockshield - stainless STEEL Copper Angle 1/2"  
12mm diam. copper pipe unions for Valve+Lockshield – chrome finish (2)

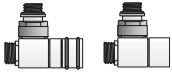


For other types of Valves see the table below or those on pages 217 - 218 - 219 - 220.



Technical diagram for BA10X i5 connection



**Standard VALVES** (for Valves and Lockshields, valves that can be fitted with thermostat, Thermostatic valves, or Single pipe, Twin pipe, Stainless steel and thermostatic heads see pages 217 - 218 - 219 - 220)

|   | code            | Description   | Price |
|---|-----------------|---|-------|
|  | Z1TMNR#ANR12SPA | Valve and Lockshield - stainless STEEL Copper Angle 1/2" Brushed stainless steel finish | €     |
|  | Z1RACX#R12SPA   | 2 Copper unions diam. 12 mm for STAINLESS STEEL brushed finish Valve+Lockshield         | €     |
|  | ZRCFG#          | Kit with pipe collars for towel warmers   | €     |

# IXSTEEL BA 10X I5

Towel warmer composed of horizontal 10 mm diam. stainless steel elements fusion welded elements with 28 mm diam. manifolds



| Code           | H<br>(cm) | L<br>(cm) | Inter-axis<br>(cm) | Water<br>Content (l) | Thermal yield         |                       | Price<br>Stainless<br>steel (€) |
|----------------|-----------|-----------|--------------------|----------------------|-----------------------|-----------------------|---------------------------------|
|                |           |           |                    |                      | Watts $\Delta T$ 50°C | Watts $\Delta T$ 30°C |                                 |
| BA10XI5#080040 | 84,5      | 40,0      | 5                  | 1,51                 | 297                   | 155                   |                                 |
| BA10XI5#080050 |           | 50,0      | 5                  | 1,88                 | 398                   | 208                   |                                 |
| BA10XI5#080060 |           | 60,0      | 5                  | 2,26                 | 500                   | 262                   |                                 |
| BA10XI5#120040 | 123,5     | 40,0      | 5                  | 2,17                 | 434                   | 225                   |                                 |
| BA10XI5#120050 |           | 50,0      | 5                  | 2,71                 | 552                   | 289                   |                                 |
| BA10XI5#120060 |           | 60,0      | 5                  | 3,25                 | 670                   | 353                   |                                 |
| BA10XI5#150040 | 154,5     | 40,0      | 5                  | 2,64                 | 546                   | 282                   |                                 |
| BA10XI5#150050 |           | 50,0      | 5                  | 3,30                 | 678                   | 354                   |                                 |
| BA10XI5#150060 |           | 60,0      | 5                  | 3,96                 | 811                   | 429                   |                                 |
| BA10XI5#180040 | 185,0     | 40,0      | 5                  | 3,30                 | 665                   | 343                   |                                 |
| BA10XI5#180050 |           | 50,0      | 5                  | 4,12                 | 829                   | 432                   |                                 |
| BA10XI5#180060 |           | 60,0      | 5                  | 4,95                 | 993                   | 523                   |                                 |

For correction factors different to  $\Delta T$  50°C see page 230

# IXSTEEL BA10X E/M Electric and Mixed

Towel warmer composed of horizontal 10 mm diam. stainless steel elements fusion welded elements with 28 mm diam. manifolds



## ORDER EXAMPLE

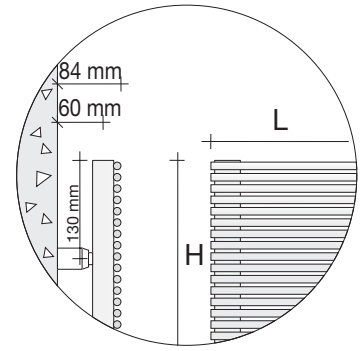
To correctly order this model follow the example specified below:

**PRODUCT** **BA10XE#080050 A2 ST 9010**  
 BA10XE#080050 Article code found in the prices table on the side  
 A2 (KA2 x mixed) Resistor code found in the table on the side  
 ST Standard Support code, only one support code available for Electric and Mixed version  
 SPA Brushed stainless steel code

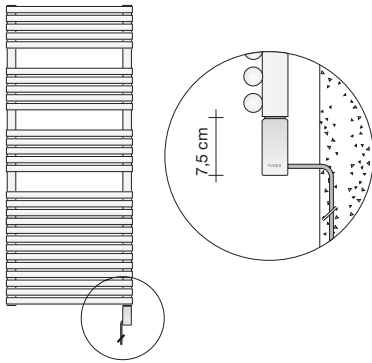
**ACCESSORIES ELECTRIC/MIXED version (only for standard STD resistors)**  
 ZRF004 Kit with wireless room thermostat  
 Or ZRF005 Portable, programmable digital wireless chronothermostat kit

**ACCESSORIES for MIXED version**  
 Z1TMNR#AN R12 SPA Valve and Lockshield - stainless STEEL Copper Angle 1/2"  
 Z1RACX#R12SPA 12mm diam. copper pipe unions for Valve+Lockshield – chrome finish (2)

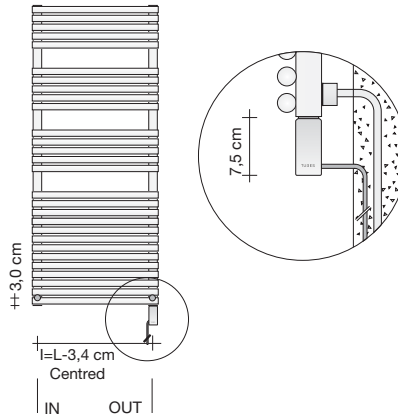
For other types of Valves see the table below or those on pages 217 - 218 - 219 - 220.



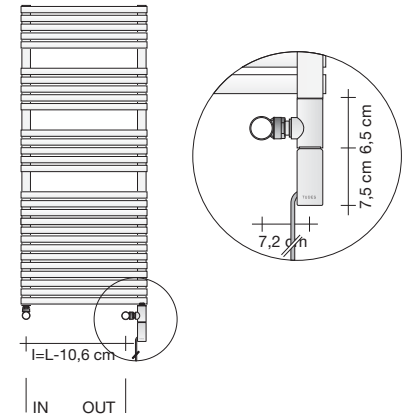
Electric Standard



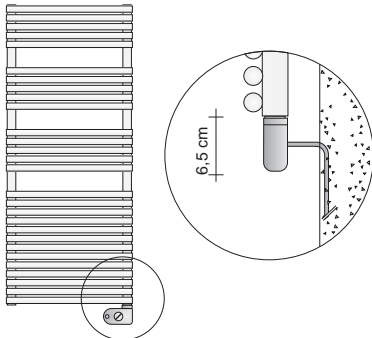
Mixed Standard with Rear Connectors



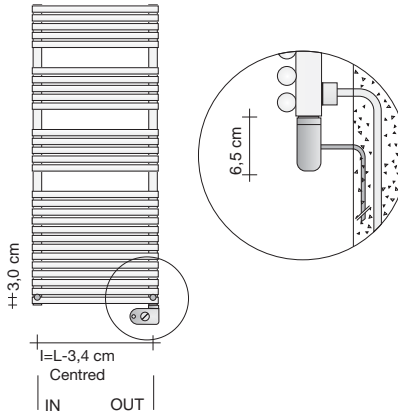
Mixed with Kit and external Connectors



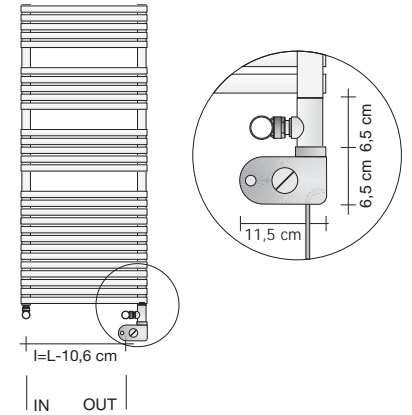
Electric with Room Thermostat



Mixed with Room thermostat and Rear Connectors



Mixed with Kit, Room thermostat and External Connectors



## Standard VALVES (for Valves and Lockshields, valves that can be fitted with thermostat, Thermostatic valves, or Single pipe, Twin pipe, Stainless steel and thermostatic heads see pages 217 - 218 - 219 - 220)

|  | code            | Description   | Price |
|--|-----------------|---|-------|
|  | Z1TMNR#ANR12SPA | Valve and Lockshield - stainless STEEL Copper Angle 1/2" Brushed stainless steel finish | €     |
|  | Z1RACX#R12SPA   | 2 Copper unions diam. 12 mm for STAINLESS STEEL brushed finish Valve+Lockshield         | €     |
|  | ZRCFG#          | Kit with pipe collars for towel warmers   | €     |

|  | code | Description   | Price |
|--|------|---|-------|
|  | GVR# | Valve and Lockshield assembly for recessed remote connection, CHROME finish | €     |
|  | GVR# | Valve and Lockshield assembly for recessed remote connection, COLOUR finish | €     |

# IXSTEEL BA10X E/M Electric and Mixed

Price for radiator with Stainless Steel finishing and standard connectors – VAT and transport charges excluded.



The electric version is made with a standard type resistor, the version with the new terminal will be available as of June 2014 with an additional price.

## ELECTRIC VERSION

| Code          | H (cm) | L (cm) | Electric resistor Watts | Price Stainless steel (€) |
|---------------|--------|--------|-------------------------|---------------------------|
| BA10XE#080040 | 80,5   | 40,0   | 300                     |                           |
| BA10XE#080050 |        | 50,0   | 300                     |                           |
| BA10XE#080060 |        | 60,0   | 600                     |                           |
| BA10XE#120040 | 119,5  | 40,0   | 600                     |                           |
| BA10XE#120050 |        | 50,0   | 600                     |                           |
| BA10XE#120060 |        | 60,0   | 900                     |                           |
| BA10XE#150040 | 149,5  | 40,0   | 600                     |                           |
| BA10XE#150050 |        | 50,0   | 900                     |                           |
| BA10XE#150060 |        | 60,0   | 900                     |                           |
| BA10XE#180040 | 181,0  | 40,0   | 900                     |                           |
| BA10XE#180050 |        | 50,0   | 900                     |                           |
| BA10XE#180060 |        | 60,0   | 1200                    |                           |

## MIXED VERSION

| Code          | H (cm) | L (cm) | Inter-axis (cm) | Electric resistor Watts | Thermal yield |               | Price Stainless steel (€) |
|---------------|--------|--------|-----------------|-------------------------|---------------|---------------|---------------------------|
|               |        |        |                 |                         | Watts ΔT 50°C | Watts ΔT 30°C |                           |
| BA10XM#080040 | 80,5   | 40,0   | 29,4            | 300                     | 297           | 155           |                           |
| BA10XM#080050 |        | 50,0   | 39,4            | 300                     | 398           | 208           |                           |
| BA10XM#080060 |        | 60,0   | 49,4            | 600                     | 500           | 262           |                           |
| BA10XM#120040 | 119,5  | 40,0   | 29,4            | 600                     | 434           | 225           |                           |
| BA10XM#120050 |        | 50,0   | 39,4            | 600                     | 552           | 289           |                           |
| BA10XM#120060 |        | 60,0   | 49,4            | 900                     | 670           | 353           |                           |
| BA10XM#150040 | 149,5  | 40,0   | 29,4            | 600                     | 546           | 282           |                           |
| BA10XM#150050 |        | 50,0   | 39,4            | 900                     | 678           | 354           |                           |
| BA10XM#150060 |        | 60,0   | 49,4            | 900                     | 811           | 429           |                           |
| BA10XM#180040 | 181,0  | 40,0   | 29,4            | 900                     | 665           | 343           |                           |
| BA10XM#180050 |        | 50,0   | 39,4            | 900                     | 829           | 432           |                           |
| BA10XM#180060 |        | 60,0   | 49,4            | 1200                    | 993           | 523           |                           |

## WIRELESS THERMOSTATS

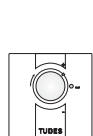
| Code   | Description  | Price (€) |
|--------|--|-----------|
| ZRF004 | Kit with wall type room thermostat (Wireless) + Receiver                           |           |
| ZRF005 | Portable, digital wireless chronothermostat kit with weekly programming + Receiver |           |

## CODES/ PRICES TABLE FOR ELECTRIC AND MIXED VERSION RESISTORS

| Model                        | 300 W                      |                         |           | 600 W                      |                         |           | 900 W                      |                         |           | 1200 W                     |                         |           |
|------------------------------|----------------------------|-------------------------|-----------|----------------------------|-------------------------|-----------|----------------------------|-------------------------|-----------|----------------------------|-------------------------|-----------|
|                              | Resistor code For Electric | Resistor code For Mixed | Price (€) | Resistor code For Electric | Resistor code For Mixed | Price (€) | Resistor code For Electric | Resistor code For Mixed | Price (€) | Resistor code For Electric | Resistor code For Mixed | Price (€) |
| Standard (STD) White cord    | A2                         | KA2                     |           | B2                         | KB2                     |           | C2                         | KC2                     |           | D2                         | KD2                     |           |
| Standard (STD) Grey cord     | G2                         | KG2                     |           | H2                         | KH2                     |           | I2                         | KI2                     |           | L2                         | KL2                     |           |
| Room thermostat - White      | A5                         | KA5                     |           | B5                         | KB5                     |           | C5                         | KC5                     |           | D5                         | KD5                     |           |
| Room thermostat - Grey       | A7                         | KA7                     |           | B7                         | KB7                     |           | C7                         | KC7                     |           | D7                         | KD7                     |           |
| Radiator Thermostat - White  | N1                         | N.D.                    |           | N2                         | N.D.                    |           | N3                         | N.D.                    |           | N4                         | N.D.                    |           |
| Radiator Thermostat - Chrome | N5                         | N.D.                    |           | N6                         | N.D.                    |           | N7                         | N.D.                    |           | N8                         | N.D.                    |           |
| White edge cap               | U1                         | KU1                     |           | U2                         | KU2                     |           | U3                         | KU3                     |           | U4                         | KU4                     |           |
| Grey edge cap                | V1                         | KV1                     |           | V2                         | KV2                     |           | V3                         | KV3                     |           | V4                         | KV4                     |           |
| Chrome edge cap              | Z1                         | KZ1                     |           | Z2                         | KZ2                     |           | Z3                         | KZ3                     |           | Z4                         | KZ4                     |           |

### Wireless connections

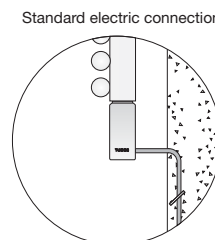
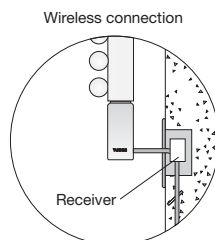
### How to carry out connection to the Electric supply with the new terminal



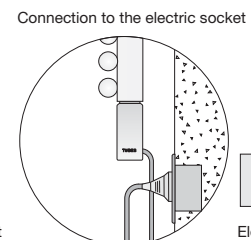
Wireless room thermostat  
ZRF004



Portable, digital wireless chronothermostat  
ZRF005



Remote switch (not supplied)



Electric plug not supplied