



RENÉE

POLISHED / SATIN STAINLESS STEEL

INOX

Design: Mariano Moroni

Surrounding warming and caring geometries improve each reflecting images.
The two groups polished or satin stainless steel seem to fight each other to capture the light in a central mirror.
Renée is available in polished and satin finishing.

- Material:**
- Horizontal collectors in polished/satin stainless steel with ϕ of 38 mm.
 - Vertical heating elements in polished/satin stainless steel 30x10 mm.

- Fixing kit:**
- Brackets
 - Airvent
 - Blind Plug
 - Hexagonal tool
 - Plugs and screws for mounting suitable for use on compact or hollow brick walls

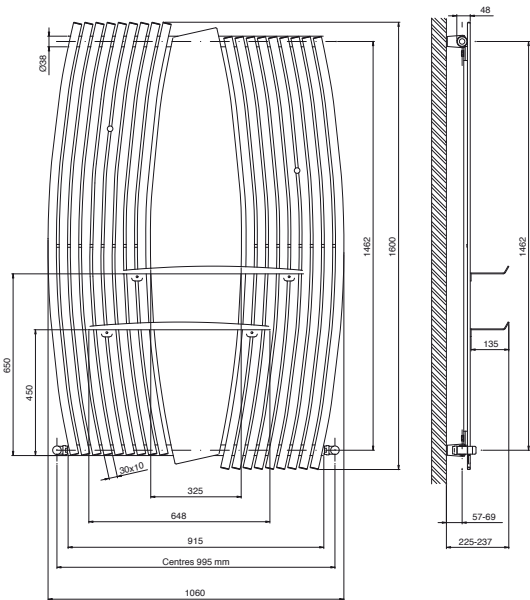
- User notice

Packaging:
The radiator is protected by a wooden crate.
User notice included.

- Features:**
- It is totally made in stainless steel with an unalterable finishing guaranteed during the years.
 - Standard with 1 mirror, 2 hooks and 2 shelves.

Accessories and spare parts:
See page 157.

| | |
|---------------|------------------------------------------------------------|
| P. max: 8 bar | Available for central heating systems |
| T. max: 95° C | Connections: n° 2 x 1/2" gas - n° 1 x 1/8" gas for Airvent |



With Cordivari Elegant valve.

STANDARD CONNECTIONS



Bidirectional connection not possible.

| LEGEND | |
|--------------|----------------------|
| ▶ In | ◀ Airvent |
| ◁ Out | H Height |
| □ Connection | Width=20 - Height=15 |
| Pipe Centres | L Width |

RENÉE POLISHED / SATIN STAINLESS STEEL

| Code Nr. | Height [mm] | Width L [mm] | FINISHING | Pipe Centres l [mm] | Dry Weight [Kg] | Water Content [lt] | Thermal output $\Delta t = 50^{\circ}\text{C}$ | | 75/65/20°C ($\Delta t=50^{\circ}\text{C}$) * Thermal output ϕ in Watts and Δt in °C |
|---------------|----------------|-----------------|-----------|------------------------|--------------------|-----------------------|------------------------------------------------|--------|-------------------------------------------------------------------------------------------------------|
| | | | | | | | Watts | Kcal/h | |
| 3620740400011 | 1600 | 1060 | POLISHED | 995 | 32 | 7,1 | 805 | 692 | $\phi = 4,4776^* \Delta t^{1,3271}$ |
| 3620740130070 | | 1060 | SATIN | 995 | 32 | 6,8 | 860 | 740 | $\phi = 4,7835^* \Delta t^{1,3271}$ |

* For output at different Δt than 50°C, see page 162.

ACCESSORIES



POLISHED

| C | Code Nr. | M | Code Nr. |
|------------------|---------------|------------|---------------|
| Ø 10/12/14/15/16 | 5991990301012 | Ø 14/16/18 | 5991990301011 |

C = Copper connection • M = Multilayer connection

POLISHED

| C | Code Nr. | M | Code Nr. |
|------------------|---------------|------------|---------------|
| Ø 10/12/14/15/16 | 5991990301026 | Ø 14/16/18 | 5991990301025 |

C = Copper connection • M = Multilayer connection

SATIN

| C | Code Nr. | M | Code Nr. |
|------------------|---------------|------------|---------------|
| Ø 10/12/14/15/16 | 5991990321014 | Ø 14/16/18 | 5991990321013 |

C = Copper connection • M = Multilayer connection

SATIN

| C | Code Nr. | M | Code Nr. |
|------------------|---------------|------------|---------------|
| Ø 10/12/14/15/16 | 5991990321012 | Ø 14/16/18 | 5991990321011 |

C = Copper connection • M = Multilayer connection