

TRAP

design Luigi Brebbia

TRAP is the solution for those wanting a creative, atypical alternative to enliven the usual lines of a bathroom.

An irregular trapezium used for an innovative towel heater. More than just a useful, practical radiator,

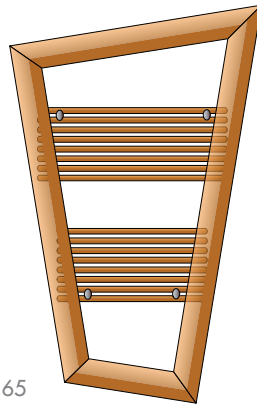
TRAP is a proper piece of sculpture to furnish and express great personality.

DIMENSIONS

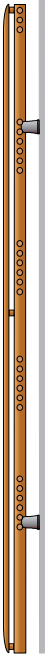
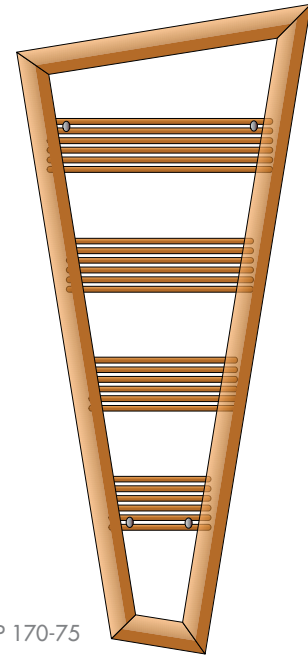
Width 65,2 / 76,3 cm
Height 103 / 168 cm
Depth 4,8 cm
Depth from wall 9 cm



TRAP 105-65

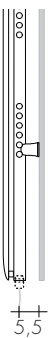
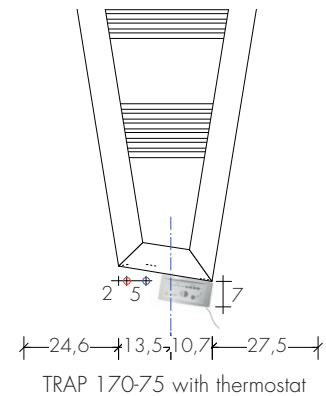
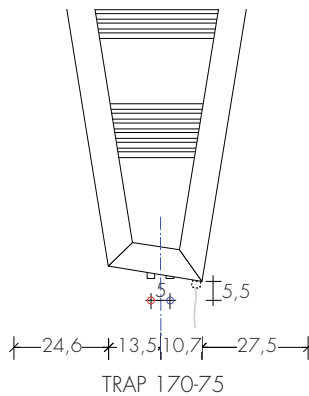
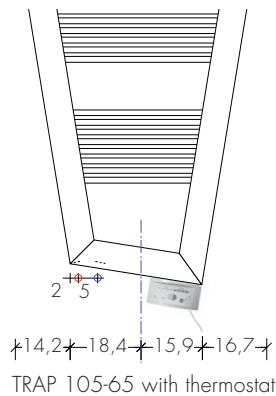
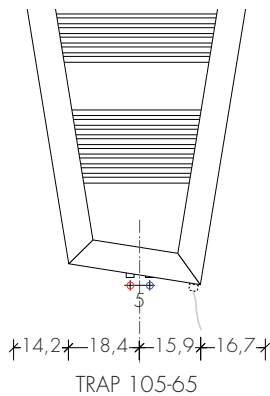


TRAP 170-75



MODEL		€	Watt Δt 50 K	▲ ▼ t.c. cm	Height cm	Width cm	Weight M Kg	Volume V dm ³	Electric version extra €	Electrical immersion heater cl. I W	Mixed version extra €
TRAP	105-65	757,10	632	50	103	65,2	10,0	3,6	175,40	650	102,20
TRAP	170-75	1002,30	921	50	168	76,3	14,8	5,4	207,20	900	108,90

EN 442 Watt Δt 50 K



MINIMUM OPERATING PRESSURE 1,5 BAR
MAXIMUM OPERATING PRESSURE 3 BAR

STANDARD PRODUCTION

White "sablé" SB9010 paintwork-white brackets
Tolerance ± 3 mm - Air vent ø 1/8"

PRODUCTION ON REQUEST

Paintwork to Brem color list with
chrome-plated brackets

+15/35%

STANDARD CONNECTION

EG Ø 1/2"
for square valves

