



RIO®

POLISHED / SATIN STAINLESS STEEL

INOX

Design: Paola Pinnavaia

RIO®, unique piece of art. Available in polished and satin stainless steel, draws its inspiration from nature; its gentle shape reminds a beautiful waterfall. The movements of the radiator give great energy sensations. Design tames the material, it's a thermal sculpture that lets you feel true emotions.

Sweet curves and harmonic waves of heating elements show a strict relationship between appearance anatomy and logic of the object.

Material:

- Horizontal collectors in polished/satin stainless steel with \varnothing of 38 mm.
- Vertical heating elements in polished/satin stainless steel with \varnothing of 25 mm.

Fixing kit:

- Brackets
- Airvent
- Hexagonal tool
- Plugs and screws for mounting suitable for use on compact or hollow brick walls
- User notice

Packaging:

The radiator is protected by a recyclable film in polyethylene and with a box in recyclable carton. User notice included.

Features:

It is totally made in stainless steel with an unalterable finishing. Brightness guaranteed during the years.

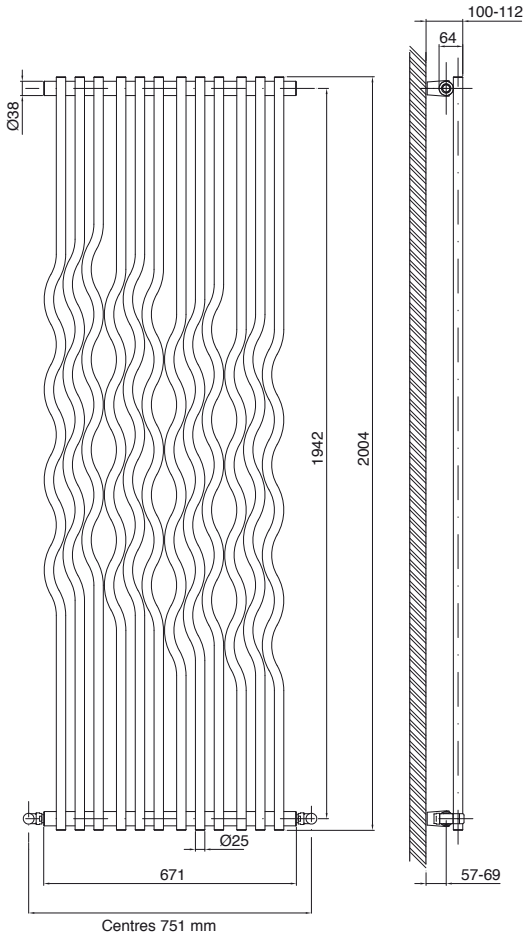
Accessories and spare parts:

See page 157.

P. max: 8 bar	Available for central heating systems
T. max: 95° C	Connections: n° 2 x 1/2" gas - n° 1 x 1/8" gas for Airvent

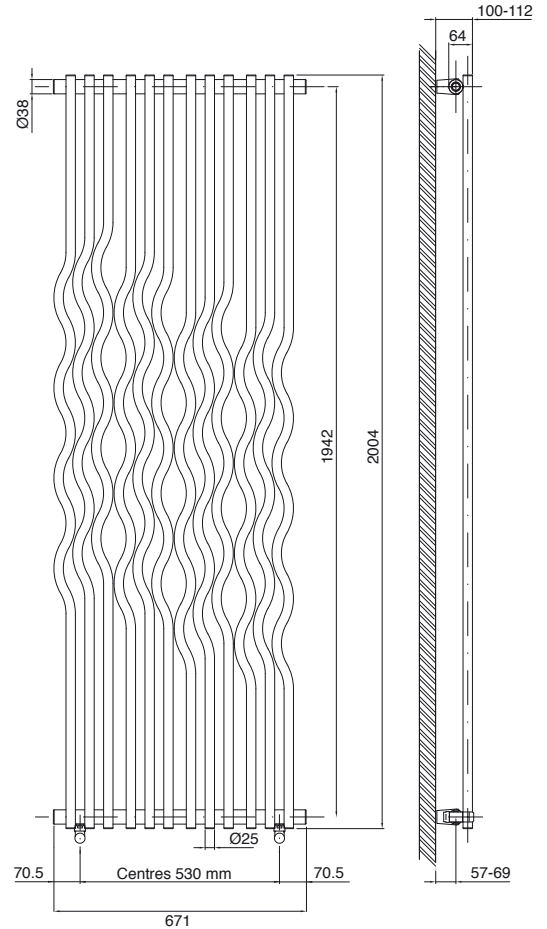


V1 - V2

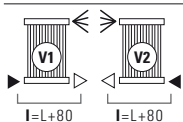


With Cordivari Elegant valve.

V9 - V10

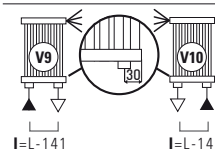


STANDARD CONNECTIONS



Always specify the kind of connection needed when ordering (V1 - V2 - V9 - V10). Bidirectional connection not possible.

SPECIAL CONNECTIONS



LEGEND	
▶ In	◀ Airvent
◁ Out	H Height
□ Connection	Width=20 - Height=15
Pipe Centres	L Width

CORDIVARI
DESIGN



RIO® POLISHED STAINLESS STEEL

Height [mm]	Width L [mm]	FINISHING	Pipe Centres (V1-V2)	Dry Weight [Kg]	Water Content [lt]	Thermal output $\Delta t = 50^{\circ}\text{C}$		75/65/20°C ($\Delta t=50^{\circ}\text{C}$)
			l [mm]			Watts	Kcal/h	
2000	671	POLISHED	751	26	16,6	807	694	$\phi = 5,8801 * \Delta t^{1,2581}$

Pipe Centres refers to the radiator valves Elegant Cordivari.

* For output at different Δt than 50°C, see page 162.



RIO® SATIN STAINLESS STEEL

Height [mm]	Width L [mm]	FINISHING	Pipe Centres (V1-V2)	Dry Weight [Kg]	Water Content [lt]	Thermal output $\Delta t = 50^{\circ}\text{C}$		75/65/20°C ($\Delta t=50^{\circ}\text{C}$)
			l [mm]			Watts	Kcal/h	
2000	671	SATIN	751	26	16,6	863	742	$\phi = 5,5531 * \Delta t^{1,2476}$

Pipe Centres refers to the radiator valves Elegant Cordivari.

* For output at different Δt than 50°C, see page 162.

ACCESSORIES



ELEGANT SQUARE
VALVE KIT
WITH THERMOSTATIC HEAD

POLISHED

C	Code Nr.	M	Code Nr.
Ø 10/12/14/15/16	5991990301026	Ø 14/16/18	5991990301025

C = Copper connection • M = Multilayer connection

SATIN

C	Code Nr.	M	Code Nr.
Ø 10/12/14/15/16	5991990321012	Ø 14/16/18	5991990321011

C = Copper connection • M = Multilayer connection



ELEGANT SQUARE
MANUAL VALVE KIT

POLISHED

C	Code Nr.	M	Code Nr.
Ø 10/12/14/15/16	5991990301012	Ø 14/16/18	5991990301011

C = Copper connection • M = Multilayer connection

SATIN

C	Code Nr.	M	Code Nr.
Ø 10/12/14/15/16	5991990321014	Ø 14/16/18	5991990321013

C = Copper connection • M = Multilayer connection