

FINES

FINEST BAKING TECHNOLOGY



PRO – SONIC

HIGH SPEED OVEN

Power and speed for all your baking, toasting and crisping needs.

PRO – SONIC

Power and speed for all your baking, toasting and crisping needs.



BLACK EDITION



RED EDITION



INOX EDITION



FUNCTIONALITY

- Countertop configuration;
- Pull down ergonomic door handle;
- Stackable with special connection kit (on request);
- Black steel color (extra colors optional);
- Catalytic converter for ventless operation;
- HD capacitive 5-inch Touch screen;
- Temperature range up to 280°C;
- Microwave power intensity 0-100%;
- 10 ventilator speed;
- Pictograms program selection;
- 1000 program recipes;
- 15 baking steps can be set for each program;
- Use of standard metal trays, pans and screens.



COMBINATION OF THREE COOKING TECHNOLOGIES



CONVECTION

- Hot air max 280°C



IMPINGEMENT

- Heating power 3000 W
- Hot air jet adjustable 0-100%
- Enhances browning



MICROWAVE

- Heating power 1200 W
- Heats quickly, reduces cooking time

Up to 15 times faster than conventional ovens

WAFFLES

15^{sec}



SANDWICHES - PANINI

45^{sec}



PIZZA

60^{sec}



BURGER

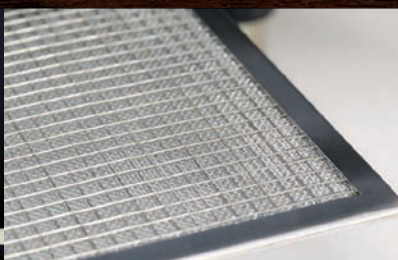
45^{sec}



ROUNDED CORNERS



5" TOUCH SCREEN



REMOVABLE FILTERS



USB CONNECTIVITY



PRO-SONIC IS IDEAL FOR

- coffee shops, bars and pubs
- supermarkets and convenient stores
- bistro and restaurants
- fast-foods & street foods
- snack bars
- hotel breakfast
- caterings
- pastry shops



PRO-SONIC IS IDEAL FOR

- fresh
- chilled
- frozen products



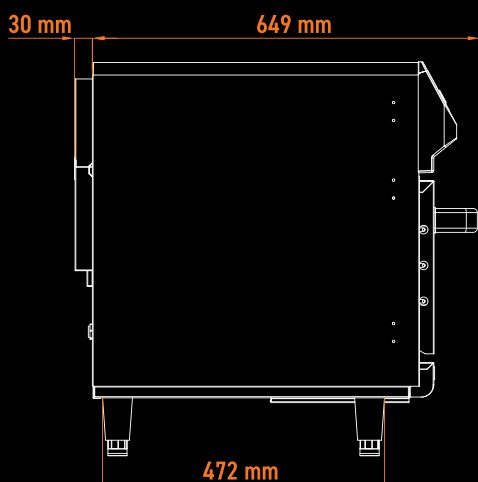
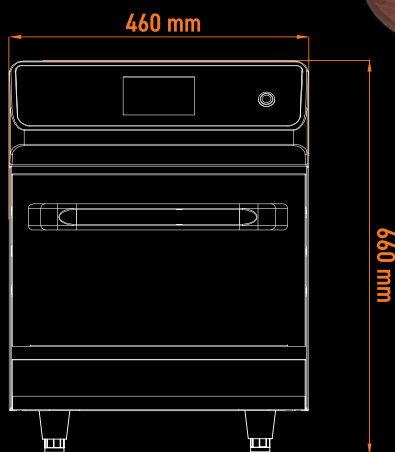
Installation in one minute only 24 months warranty

Standard equipment:

- Pizza shovel with side protection
- Round pizza plate
- Round teflon disc
- Rectangular teflon basket
- Protective gloves
- Wooden serving pizza plate

Optional Accessories:

- Panini grill plate, Pizza Stone, Non-stick baskets
- Stainless steel stand
- Oven Cleaner and Shield Protectant



PRO – SONIC X01

TECHNICAL INFORMATION

Outside Width	460 mm
Outside Depth	675 mm
Outside Height	660 mm
Inside Width	305 mm
Inside Depth	305 mm
Inside Height	185 mm
Space capacity	17,0 liters
Temperature	Max.280 °C
Microwave	1200 W
Impingement	3000 W
Connect. power	3,50 kW
Power supply	220-230V/50Hz
Weight	66 kg

FINES

FINES d.o.o.
Industrijska cesta 5
1290 Grosuplje
Slovenija - EU

T: +386 1 788 83 40
E: info@fines.si
www.fines.si

fines.si

