

Graz, 25th October 2017

New VRF compact HiWall Series 7



- New Aesthetic design for VRF line-up
- Compact chassis
- More user friendly features
 - New remote controller
 - 5 fan speed
 - Lowest noise unit only 25 dB(A)
 - Special coating fin
 - Easy cleaning construction

HP	Model name	
	With PMV	PMV less
0.6	MMK-AP0057HP-E	MMK-AP0057HP-E1
0.8	MMK-AP0077HP-E	MMK-AP0077HP-E1
1.0	MMK-AP0097HP-E	MMK-AP0097HP-E1
1.3	MMK-AP0127HP-E	MMK-AP0127HP-E1

- Compact Chassis
- Compare with current design chassis New model look more modern and compact size

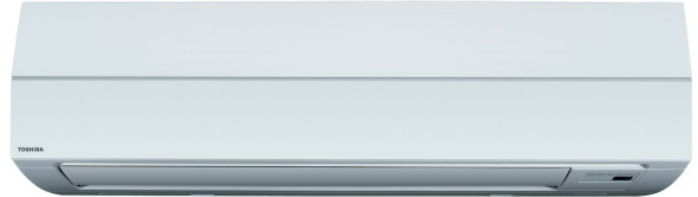
Series 4

Current

Series 3



Size (H x W x D) = 275 x 790 x 208 mm.



Size (H x W x D) = 320 x 1050 x 228 mm.

New

VRF High wall Series 7



Size (H x W x D) = 293 x 798 x 230 mm.

- New remote controller

Current

New



Series 4



Series 3



New Premium look with cover

- More residential feature
- More user friendly with bigger font size and bottom
- More elegant look with cover

PRESET

Store your desired settings and activate them at the touch of a button.

OPERATING MODE

Select the operating Mode: Cooling, Dry mode, Fan Only or Heating (only for heat-pump model)

FIX & SWING LOUVER

To move the louver in the desired vertical direction. Select your optimum airflow by selecting from a range of Swing louver positions.



FAN SPEED

Control your airflow with 5 fan speeds or select Auto Fan Speed

QUIET

The indoor will operate at the lowest noise level. It shifts to super-low fan speed which only 25 dB(A).

HI POWER

Extra airflow to rapidly reach your desired temperature setting.

COMFORT SLEEP

For optimum comfort, set the temperature to rise/decrease* by 1°C after 1 hour, then another degree after 2 hours, which will be maintained until morning.

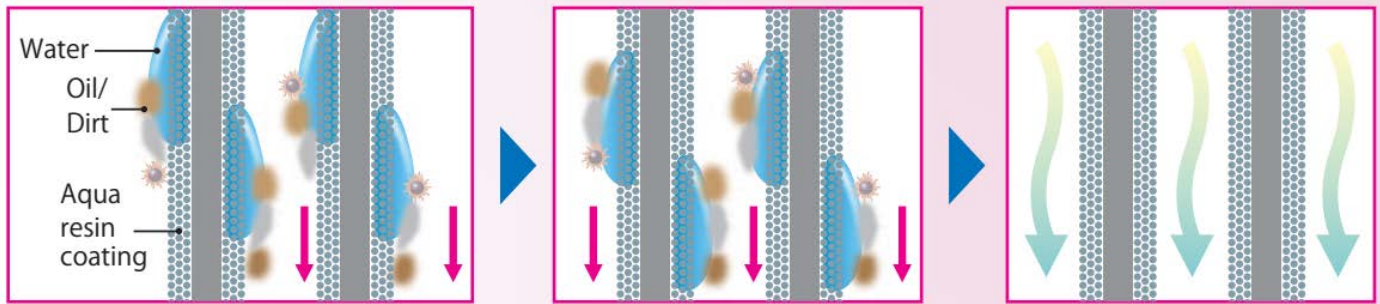
*Depend on operation mode

▪ **Service Special coating on heat-exchanger (Aluminum fin)**

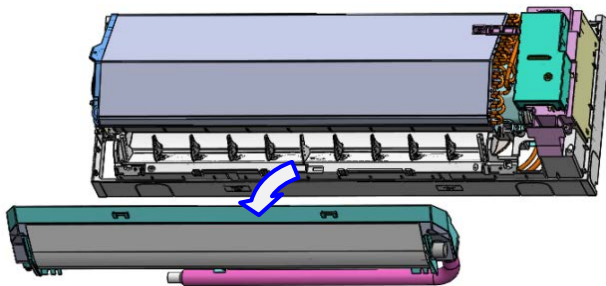
oil & dirt cannot stick fin because of special layer

condensed water washes oil & dirt

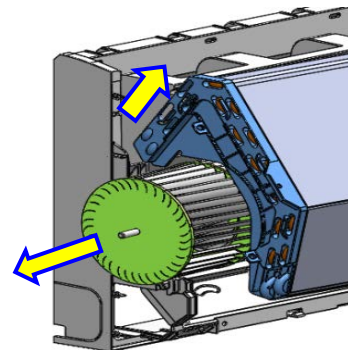
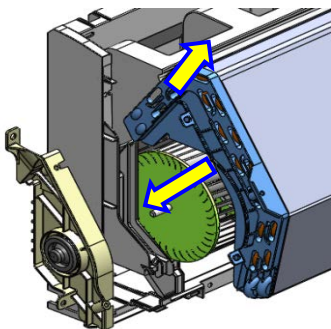
always clean as new !



▪ **Service friendly construction**

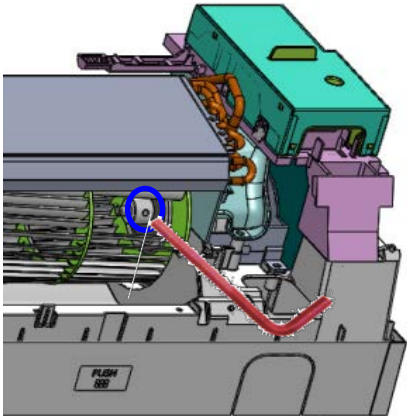


- Drainage pan is removable easily by removing 4 screws
- L/R louvers is removable easily by 2 screws

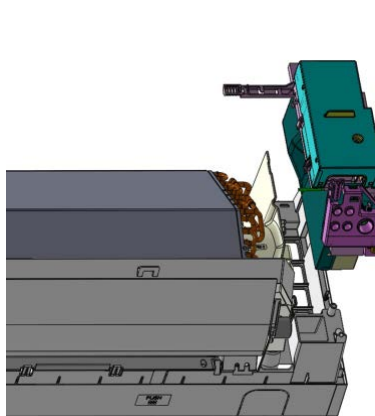


- **Service friendly construction**
- Easy to change fan-motor (no need to lift-up coil)

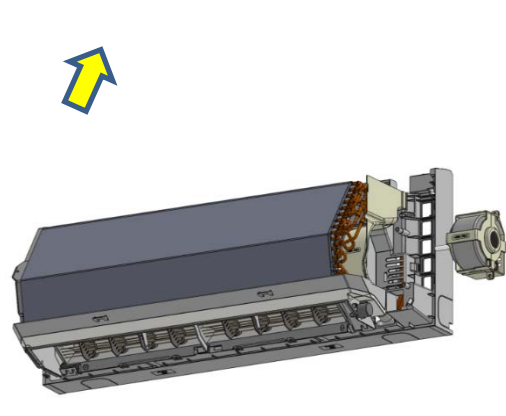
Unscrew the Fan



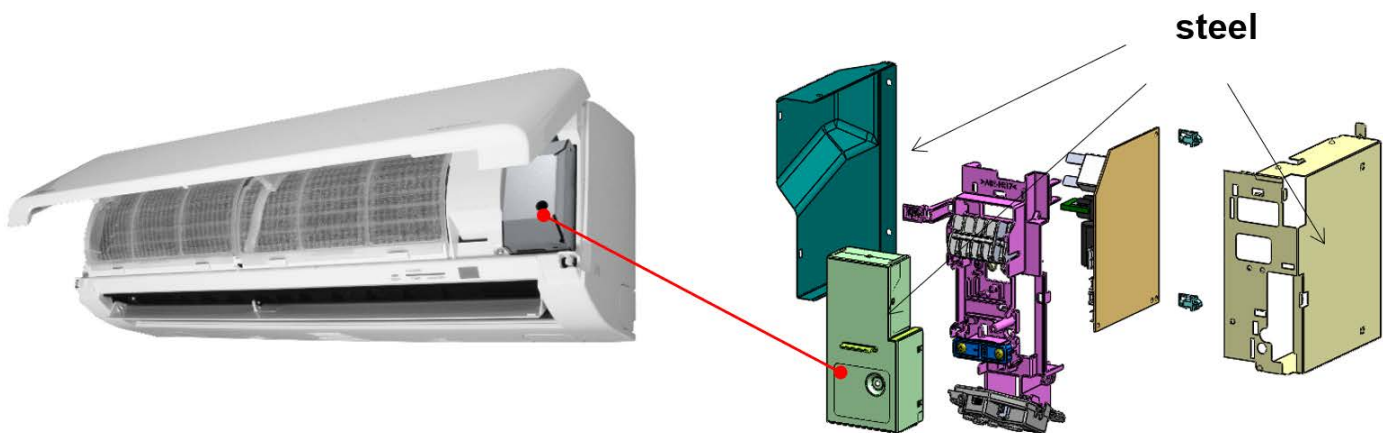
Unscrew and take off E-box



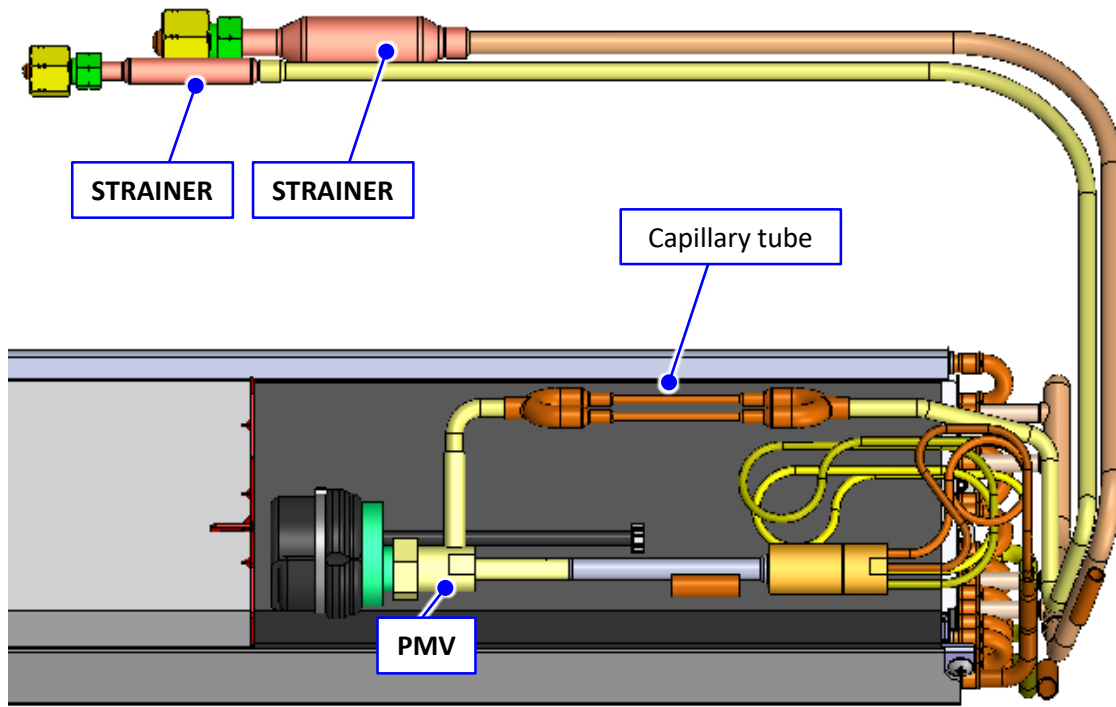
2 screws to remove fan-motor



- **Fully fireproof electrical enclosure**



- **Silent Operation**
- New piping design to improve operation sound



- **New PCB design**



■ Specification

	MMK-AP0057HP	MMK-AP0077HP	MMK-AP0097HP	MMK-AP0127HP
Cooling (kW)	1.7	2.2	2.8	3.6
Heating (kW)	1.9	2.5	3.2	4.0
Sound (H-L) dBA	33/31/29/27/25	35/33/30/28/25	36/34/31/28/25	37/35/32/28/25
Dimension (mm) (H x W x D)	293 x 798 x 230			
Weight (kg)	11	11	11	11
Connecting pipe (Gas/liquid)	φ 9.5 / φ 6.4			
Remote Controller (Standard supply)	WH-TA09NE			

- Most quite noise only 25dBA at low fan speed level
- Compact sizing which in line with market trend for all line-up
- Most newly appearance designed to match with modern interior

		D	M	Toshiba	D	M	Toshiba	D	M	Toshiba	D	M	Toshiba
Cooling	kW	1.7	1.7	1.7	2.2	2.2	2.2	2.8	2.8	2.8	3.6	3.6	3.6
Heating	kW	1.9	1.9	1.9	2.5	2.5	2.5	3.2	3.2	3.2	4.0	4.0	4.0
Sound (H-L)	dBA	34 - 29	33 - 29	33 - 25	35 - 29	36 - 29	35 - 25	36-29	36-29	36 - 25	37.5-29	41-34	37 - 25
Dimension (mm)	H	290	295	293	290	295	293	290	295	293	290	295	293
	W	795	815	798	795	815	798	795	815	798	795	898	798
	D	238	225	230	238	225	230	238	225	230	238	249	230
Weight	kg	11	10	11	11	10	11	11	10	11	11	13	11